

LEGENDS:

SYMBOL	DESCRIPTION
FD	FLOOR DRAIN
SM	SEWER MANHOLE
DM	DRAINAGE MANHOLE
CB	CATCH BASIN

GENERAL NOTES:

- ALL DIMENSIONS ARE IN MILLIMETER UNLESS MENTIONED.
- ALL DIMENSIONS ARE TO BE READ AND NOT MEASURED.
- ANY DISCREPANCY MUST BE BROUGHT TO THE NOTICE OF THE NMRC BEFORE EXECUTION OF WORK AT SITE.
- THIS DRAWING MUST BE READ IN CONJUNCTION WITH ALL RELEVANT ARCHITECTURAL, STRUCTURAL, PLUMBING & FIRE FIGHTING, ELECTRICAL AND TRAFFIC MANAGEMENT DRAWINGS.

REVISION	DESCRIPTION	DRAWING NO.

REV.	DESCRIPTION	DATE	DRAWN BY	CHECKED BY
R0	ISSUED FIRST SUBMISSION OF PRELIMINARY DRAWINGS	27-03-2026	HARI LAL	R.P.

APPROVAL OF NMRC OFFICIALS

Certified that this document has been designed and checked in accordance with DDC Quality Assurance Plan.

Authorised Signatory for DDC:
 NGNEDDC Project Manager

Architecture Design In-charge/ Coordinator
 Structure Design In-charge/ Coordinator
 E&M Design In-charge/ Coordinator

DETAIL DESIGN CONSULTANT :

ayesa
 Ayesa India Private Limited
 D 99, 3rd Floor, Sector 2, Noida -201301, Gautam Budh Nagar, Uttar Pradesh
 Tel.: +(91) 120 490 8800, Email: delhi@ayesa.com

Noida Metro Rail Corporation Ltd.
 Block-III, 3rd Floor, Ganga Shopping Complex, Sector-29, Noida -201301, District Gautam Budh Nagar, Uttar Pradesh, India

PROJECT: NOIDA - GREATER NOIDA CORRIDOR

STATION: NOIDA SECTOR 44 STATION

DRAWING TITLE: GROUND FLOOR PLAN -DRAINAGE & WATER SUPPLY LAYOUT

DRAWN BY: HARI LAL DATE: 27-03-2026	CHECKED BY: R.P. REV: R0	VERIFIED BY: SACHIN SCALE: 1:200	APPROVED BY: NITIN GUPTA STATUS: PDS
---	--	--	--


ORDER N°: DRAWING NUMBER: **NGNE-S44-TED-PLB-11001** SHEET NO. **1 OF 1** SHEET SIZE **A-1**

This drawing must not be either loaned, copied or otherwise reproduced in whole or in part or used for any purpose without the prior written permission of NMRC.

LIST OF PLUMBING DRAWINGS

S.NO.	DRAWING NO.	DRAWING TITLE	SHEET	REV.
01	NGNE-S44-TED-PLB-10001	LIST OF PLUMBING DRAWINGS	1 OF 1	R0
02	NGNE-S44-TED-PLB-10002	TYPICAL DETAIL & SECTION -PLUMBING LAYOUT	1 OF 1	R0
03	NGNE-S44-TED-PLB-10003	TOILET DETAIL-PLUMBING LAYOUT	1 OF 1	R0
04	NGNE-S44-TED-PLB-10004	SCHEMATIC DIAGRAM FOR DRAINAGE SYSTEM	1 OF 1	R0
05	NGNE-S44-TED-PLB-10005	SCHEMATIC DIAGRAM FOR SEWAGE SYSTEM	1 OF 1	R0
06	NGNE-S44-TED-PLB-10006	SCHEMATIC DIAGRAM FOR WATER SUPPLY SYSTEM	1 OF 1	R0
07	NGNE-S44-TED-PLB-11001	GROUND FLOOR PLAN - DRAINAGE & WATER SUPPLY LAYOUT	1 OF 1	R0
08	NGNE-S44-TED-PLB-12001	PUMP ROOM - PLUMBING LAYOUT	1 OF 1	R0
09	NGNE-S44-TED-PLB-13001	CONCOURSE LEVEL PLAN -DRAINAGE LAYOUT	1 OF 1	R0
10	NGNE-S44-TED-PLB-13002	CONCOURSE LEVEL PLAN -WATER SUPPLY LAYOUT	1 OF 1	R0
11	NGNE-S44-TED-PLB-14001	PLATFORM LEVEL PLAN-DRAINAGE LAYOUT	1 OF 1	R0
12	NGNE-S44-TED-PLB-14002	PLATFORM LEVEL PLAN-WATER SUPPLY LAYOUT	1 OF 1	R0
13	NGNE-S44-TED-PLB-15001	ROOF LEVEL PLAN-DRAINAGE LAYOUT	1 OF 1	R0

TENDER DESIGN


 NOIDA METRO RAIL CORPORATION LTD. Block-III, 3rd Floor, Ganga Shopping Complex, Sector-29, Noida -201301, District Gautam Budh Nagar, Uttar Pradesh, India			
PROJECT: CONTRACT NO: NGNECC-01- Part Design & Construction of Elevated Viaduct and 10 nos. of Elevated Stations for Extension Projects of NMRC's Aqua Line from Botanical Garden to Noida Sec-142 (from Chainage (-) 383.959 to 12130.143) and from Depot Station to Boraki MMTH (Chainage 28678.253 to 31263.482)			
STATION: NOIDA SECTOR 44 STATION DRAWING TITLE: LIST OF PLUMBING DRAWINGS			
NORTH	DRAWN BY: HL	CHECKED BY: RK	VERIFIED BY: SJ
	DATE: 27-03-2026	REV: R0	SCALE: N.T.S.
ORDER N°	DRAWING NUMBER: NGNE-S44-TED-PLB-10001	SHEET NO. 01 OF 01	SHEET SIZE A-1
			APPROVED BY: NG
			STATUS: TED
			NGNEDDC
			PLUMBING

Certified that this document has been designed and checked in accordance with DDC Quality Assurance Plan.

Authorised Signatory for DDC.
NGNEDDC Project Manager

Architecture Design In-charge/ Coordinator Structure Design In-charge/ Coordinator E&M Design In-charge/ Coordinator

DETAIL DESIGN CONSULTANT :



Ayesa India Private Limited
D 99, 3rd Floor, Sector 2, Noida -201301,Gautam Budh Nagar, Uttar Pradesh
Tel.: +(91) 120 490 8800, Email: delhi@ayesa.com

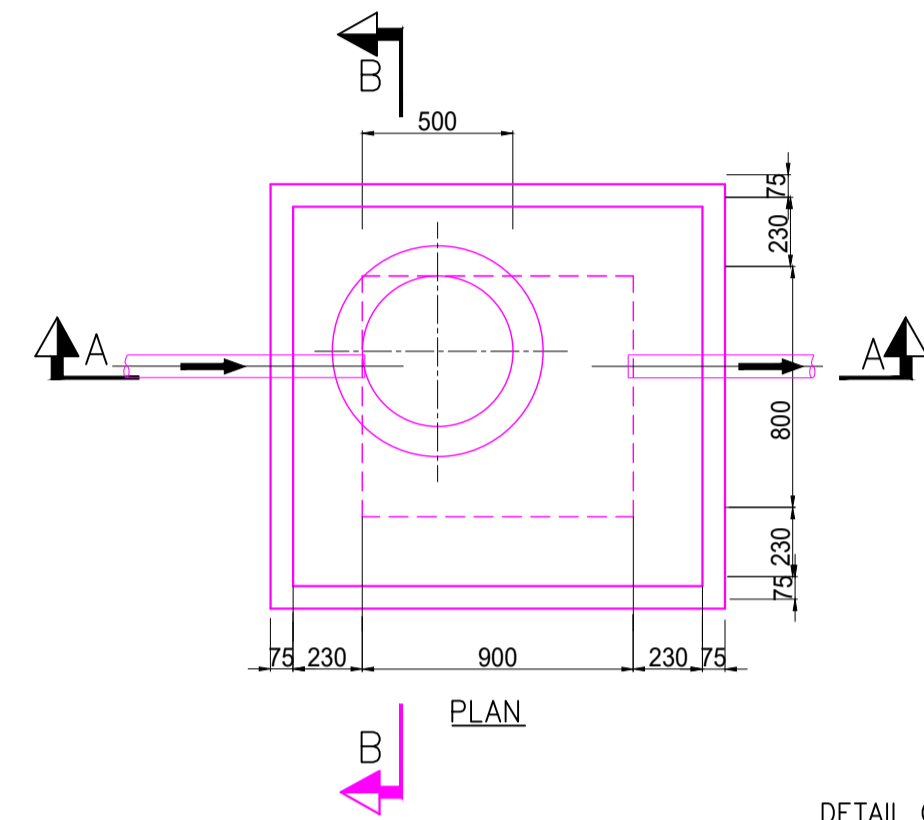
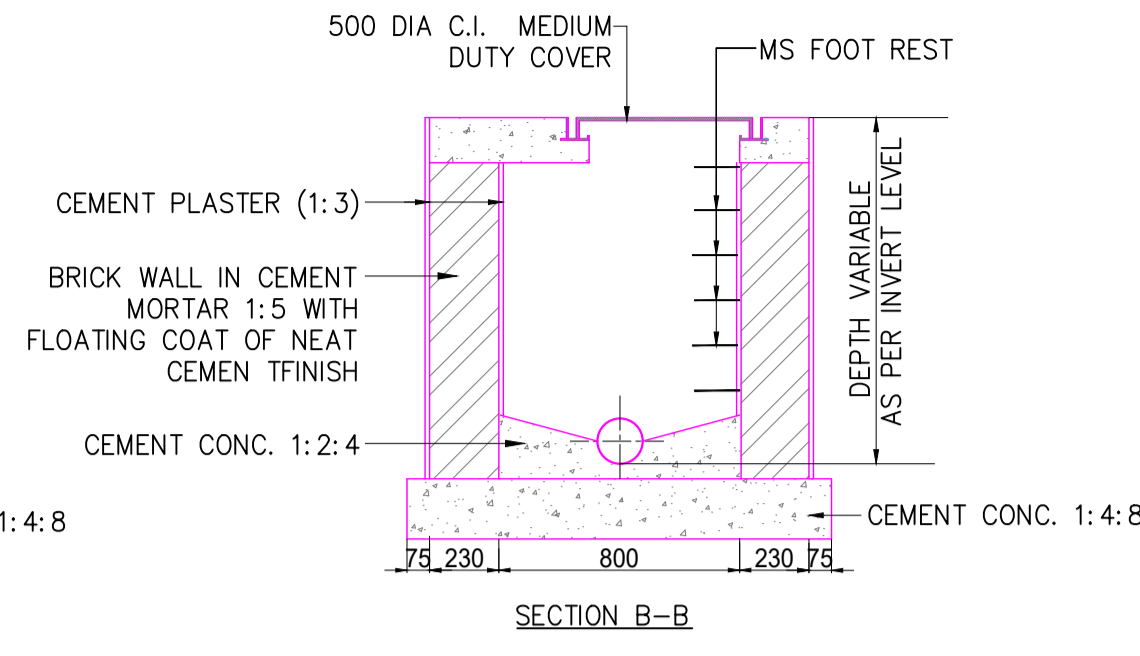
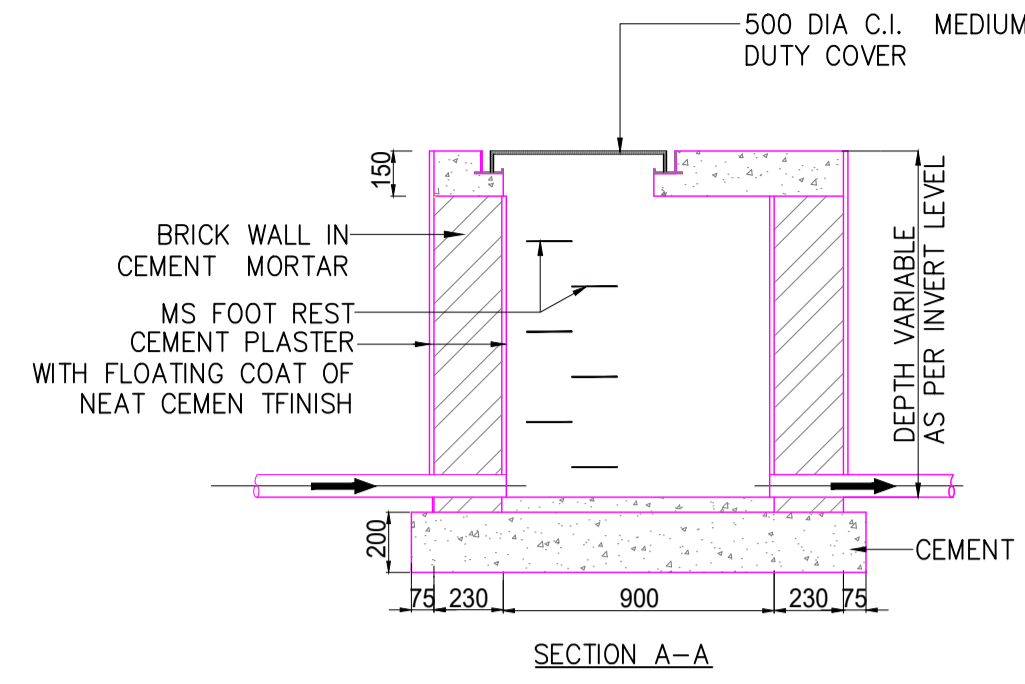
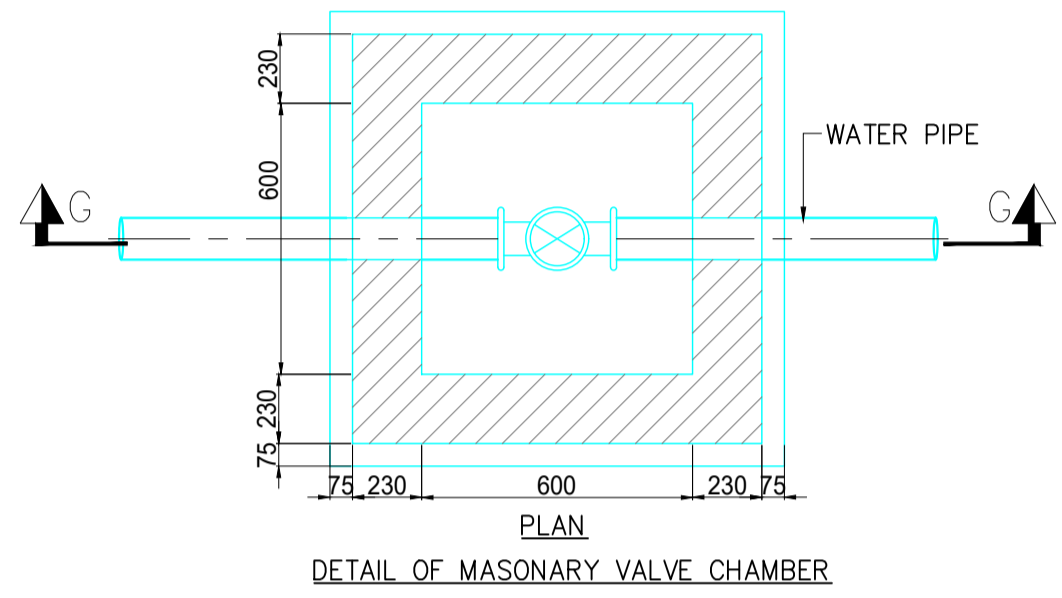
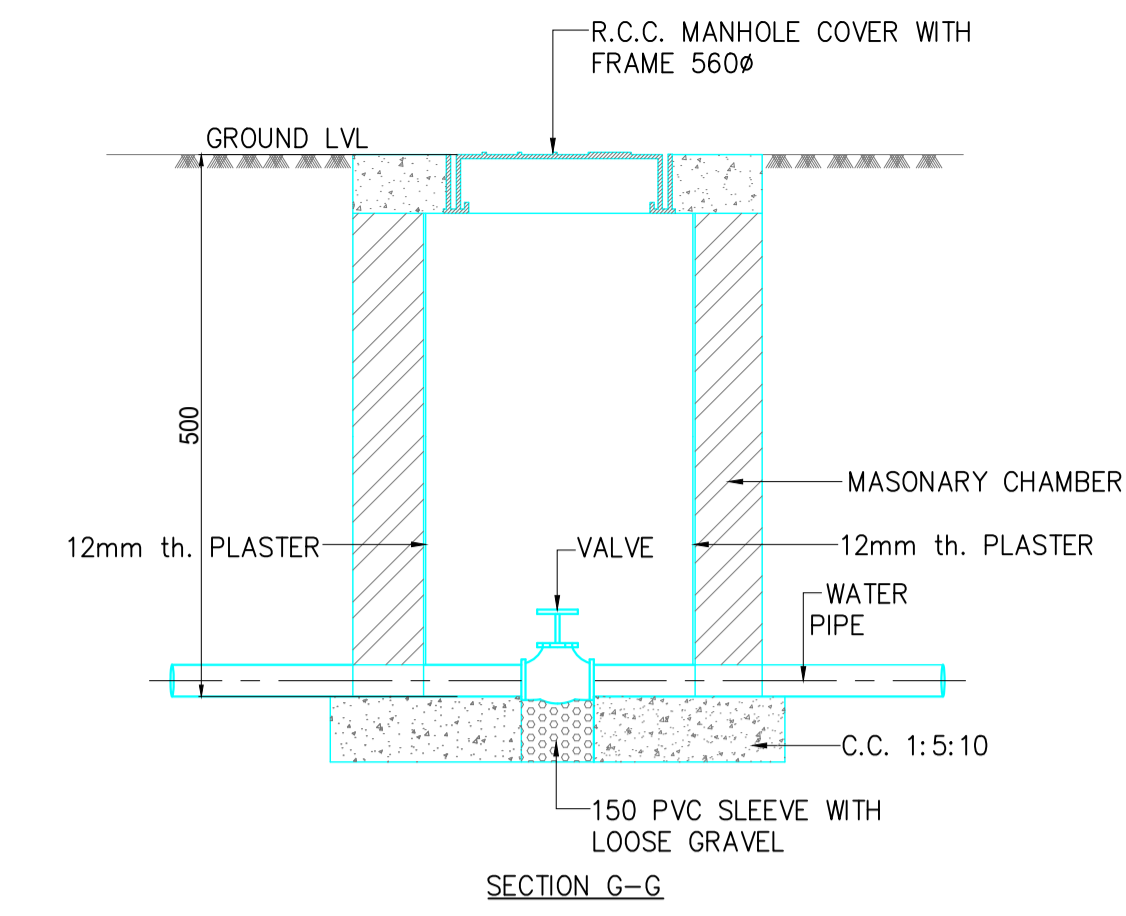
APPROVAL OF NMRC OFFICIALS

REVISIONS				
REV.	DESCRIPTION	DATE	DRAWN BY	CHECKED BY
R0	ISSUED FIRST SUBMISSION OF TENDER DRAWINGS	27-03-2026	HARI LAL	R.K.

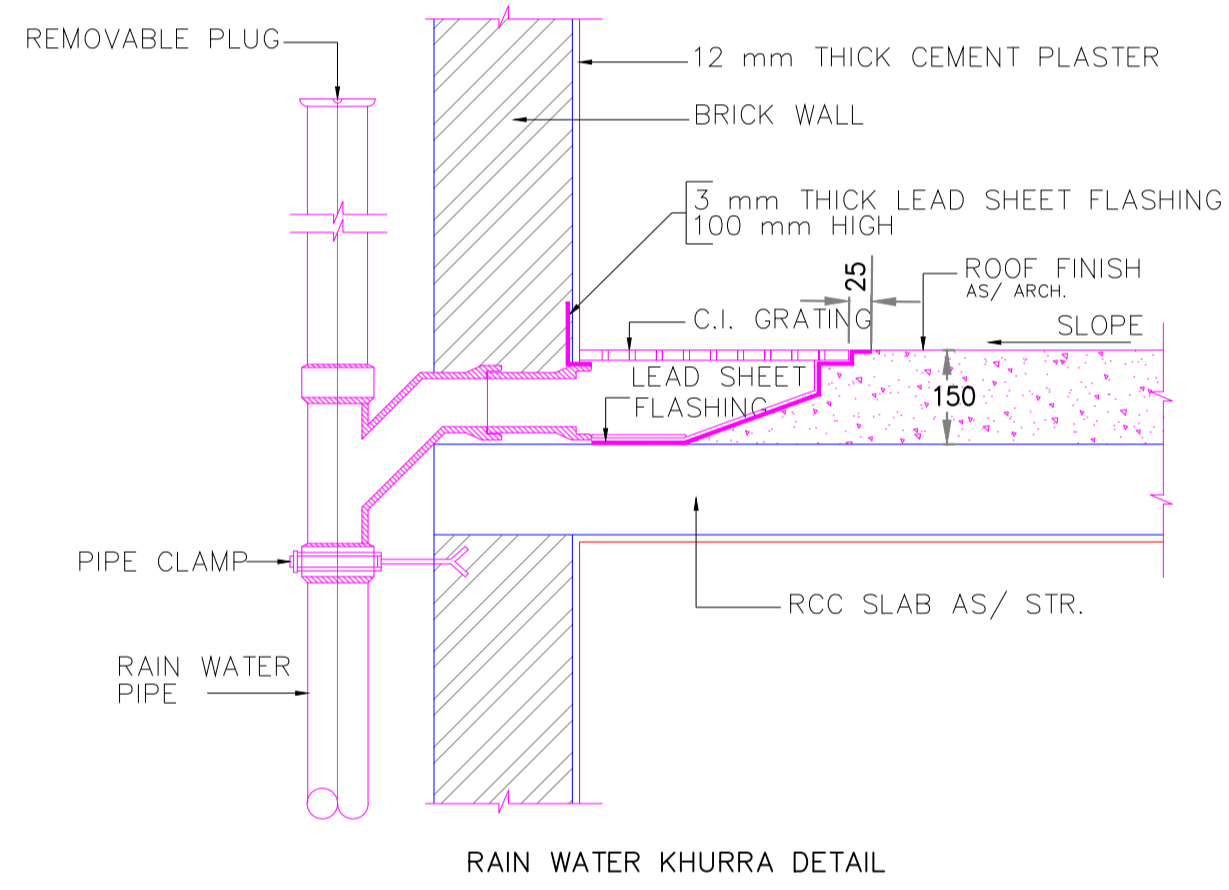
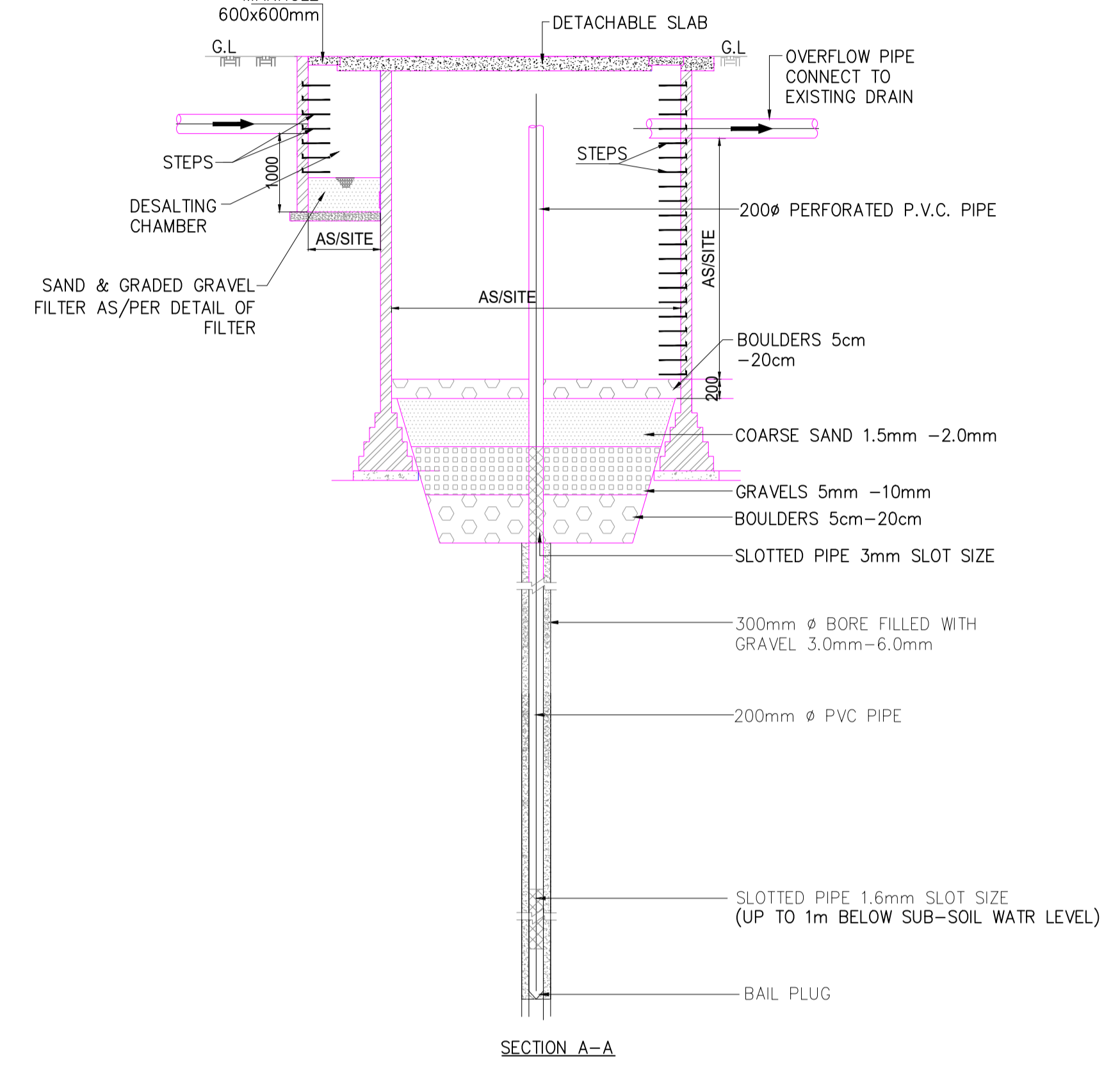
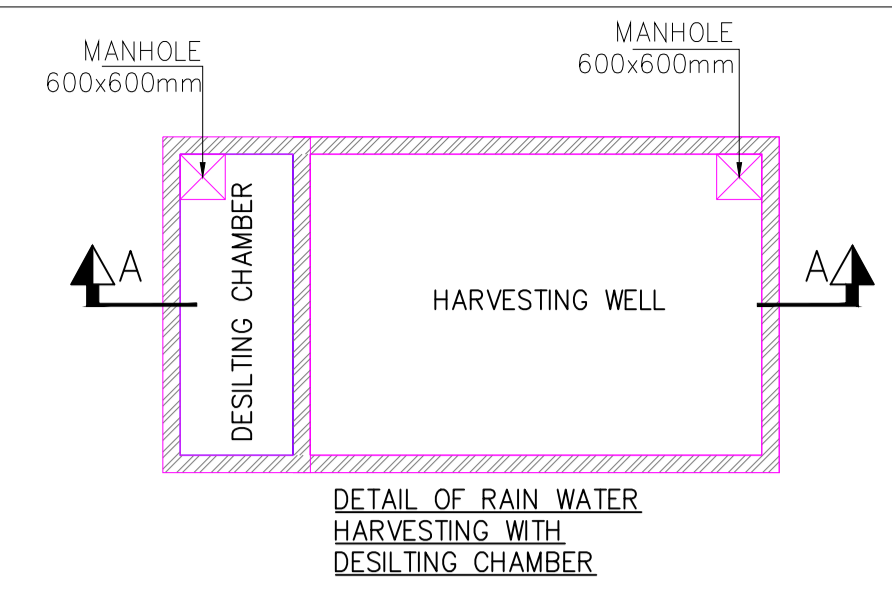
GENERAL NOTES:
 1. ALL DIMENSIONS ARE IN MILLIMETER UNLESS MENTIONED.
 2. ALL DIMENSIONS ARE TO BE READ AND NOT MEASURED.
 3. ANY DISCREPANCY MUST BE BROUGHT TO THE NOTICE OF THE DMRC BEFORE EXECUTION OF WORK AT SITE.
 4. THIS DRAWING MUST BE READ IN CONJUNCTION WITH ALL RELEVANT ARCHITECTURAL, STRUCTURAL, PLUMBING & FIRE FIGHTING, ELECTRICAL AND TRAFFIC MANAGEMENT DRAWINGS.

REFERENCE DRAWINGS

REVISION	DESCRIPTION	DRAWING NO.

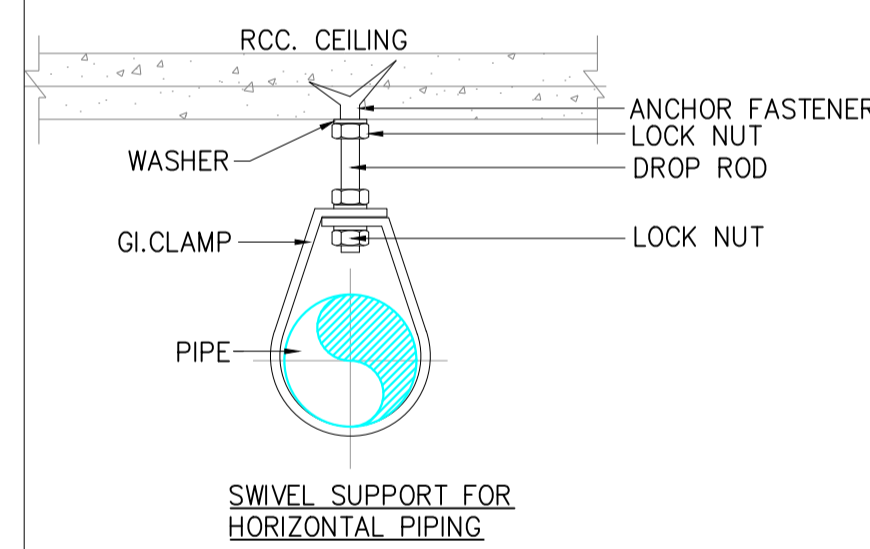
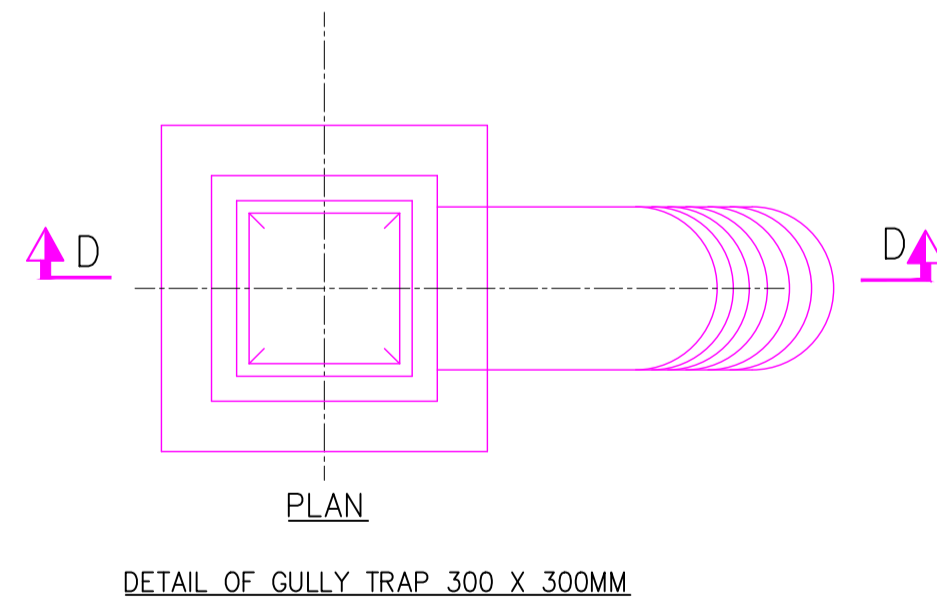
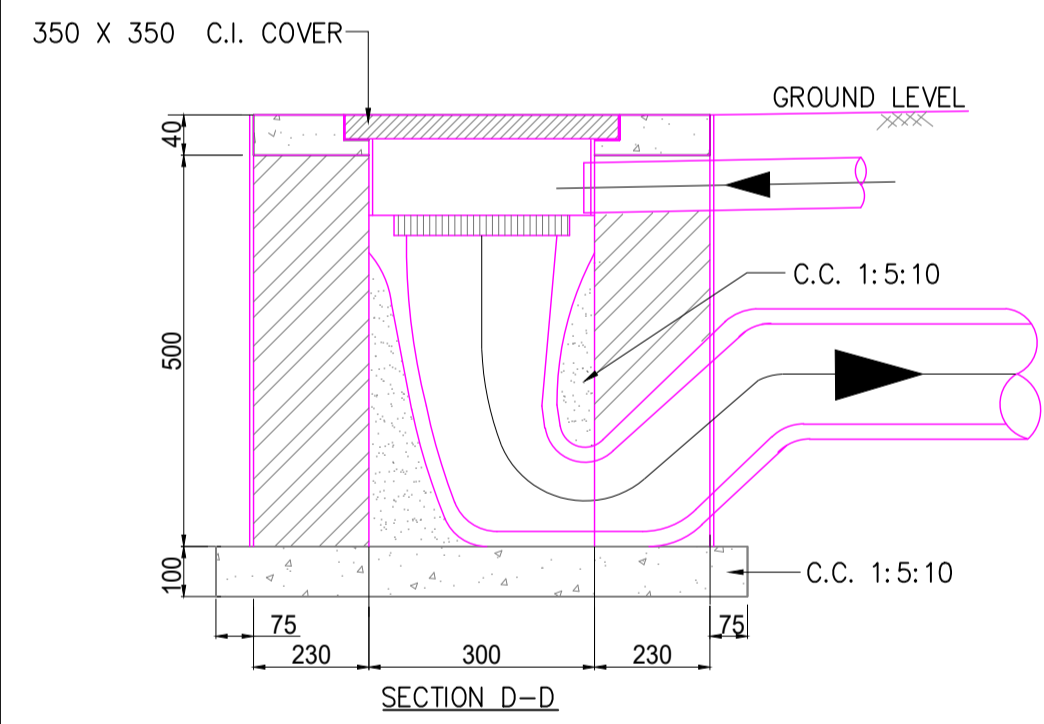


DETAIL OF RECTANGULAR MANHOLE 900 X 800MM



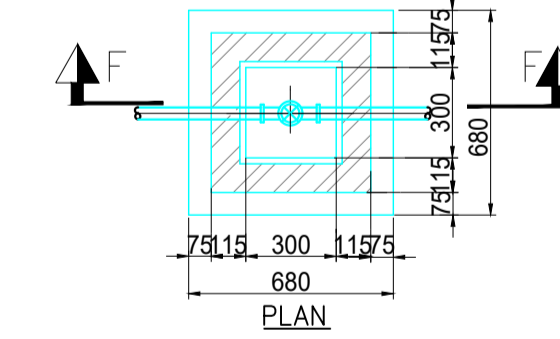
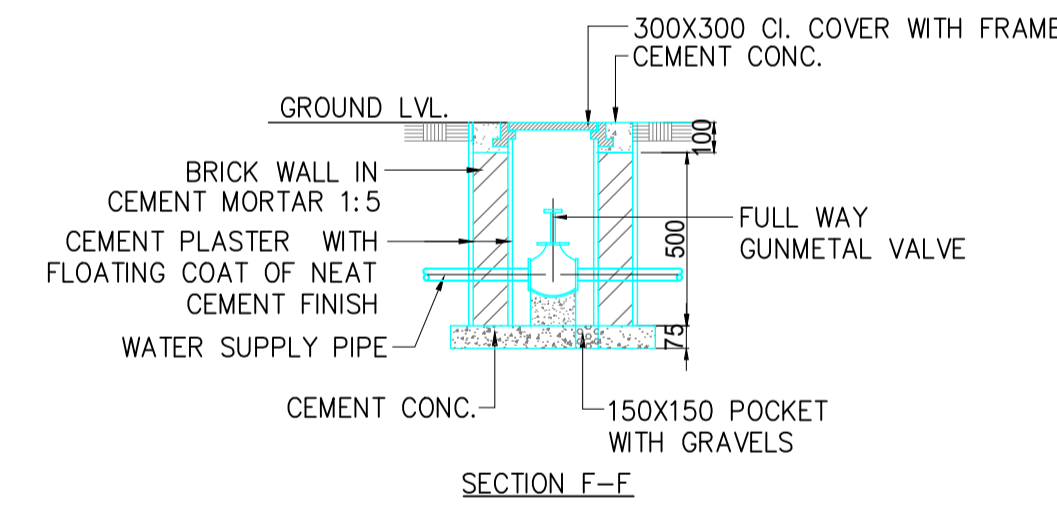
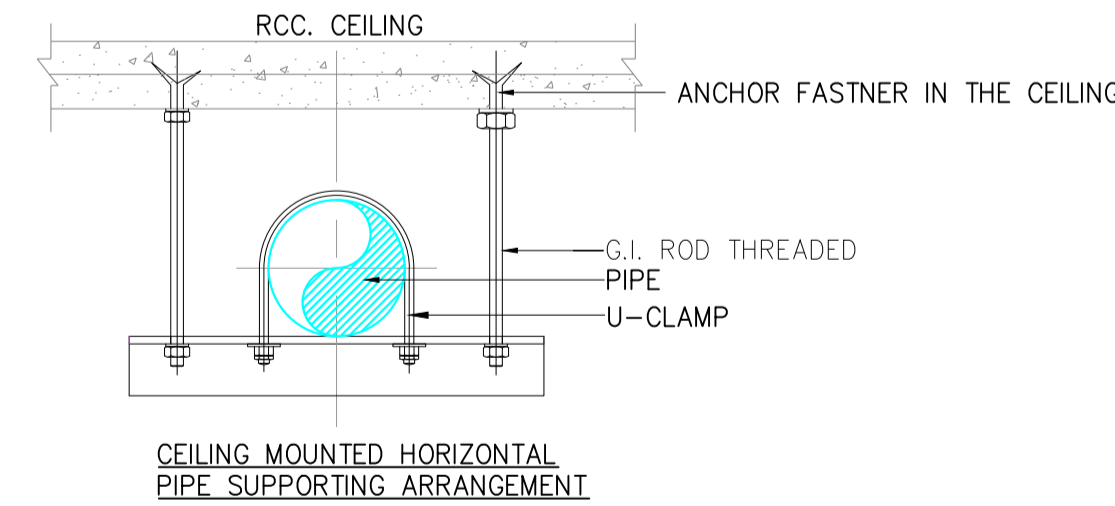
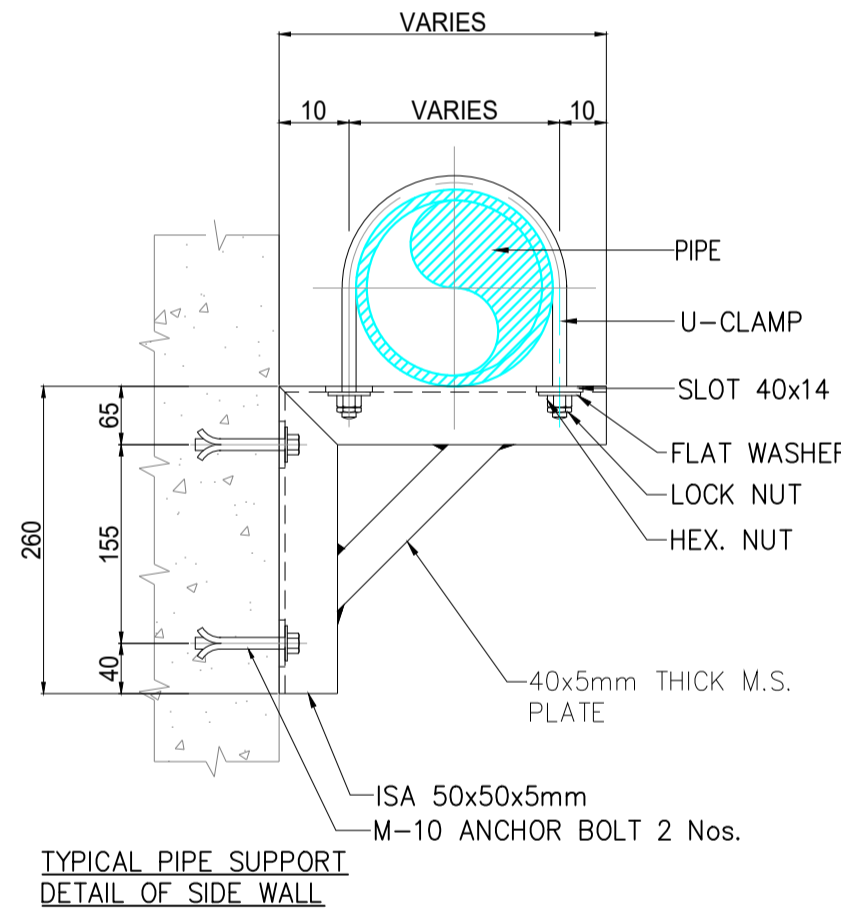
NOTES

1. ALL DIMENSIONS ARE IN MM. UNLESS OTHERWISE SPECIFIED
2. PROPER CEMENT CONCRETE CHANNEL AND TRENCHING ARE TO BE PROVIDED RELEVANT SMOOTH WITH FLOATING COAT OF NEAT CEMENT FINISH.
3. TOP OF MANHOLES, CATCH BASINS ARE TO BE PLACED IN CONJUNCTION WITH ADJACENT FINISHED LEVEL AS APPLICABLE.

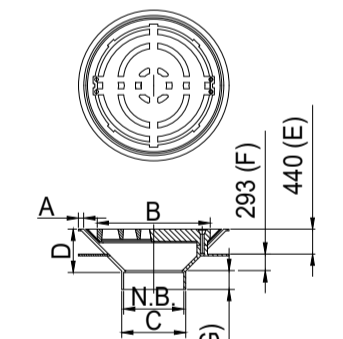


SPACING FOR PIPE SUPPORT ARE AS FOLLOW:-

PIPE SIZE (DN)	SUPPORT DISTANCE	
	HORIZONTAL (m)	VERTICAL (m)
15	1.8	2.4
20-32	2.4	3.0
40-50	2.4	3.7
65-100	3.0	4.6



NEER THRUFLU FLAT GRATE DIMENSIONAL DATA



N.B	A	B	C	D	E	F	G
80	200	150	85	80	33	22	25

TYPICAL DETAIL OF FLOOR DRAIN

GENERAL NOTES:

1. ALL DIMENSIONS ARE IN MILLIMETER UNLESS MENTIONED.
2. ALL DIMENSIONS ARE TO BE READ AND NOT MEASURED.
3. ANY DISCREPANCY MUST BE BROUGHT TO THE NOTICE OF THE DMRC BEFORE EXECUTION OF WORK AT SITE.
4. THIS DRAWING MUST BE READ IN CONJUNCTION WITH ALL RELEVANT ARCHITECTURAL, STRUCTURAL, PLUMBING & FIRE FIGHTING, ELECTRICAL AND TRAFFIC MANAGEMENT DRAWINGS.

REVISION	DESCRIPTION	DRAWING NO.

REV.	DESCRIPTION	DATE	DRAWN BY	CHECKED BY
R0	ISSUED FIRST SUBMISSION OF TENDER DRAWINGS	27-03-2026	HARI LAL	R.K.

APPROVAL OF NMRC OFFICIALS	

Certified that this document has been designed and checked in accordance with DDC Quality Assurance Plan.

Architecture: Design In-charge/ Coordinator
Structure: Design In-charge/ Coordinator
E&M: Design In-charge/ Coordinator

DETAIL DESIGN CONSULTANT :

ayesa
Ayesa India Private Limited
D 99, 3rd Floor, Sector 2, Noida -201301, Gautam Budh Nagar, Uttar Pradesh
Tel.: +(91) 120 490 8800, Email: delhi@ayesa.com

TENDER DESIGN

NOIDA METRO RAIL CORPORATION LTD.
Block-III, 3rd Floor, Ganga Shopping Complex, Sector-29, Noida -201301, District Gautam Budh Nagar, Uttar Pradesh, India

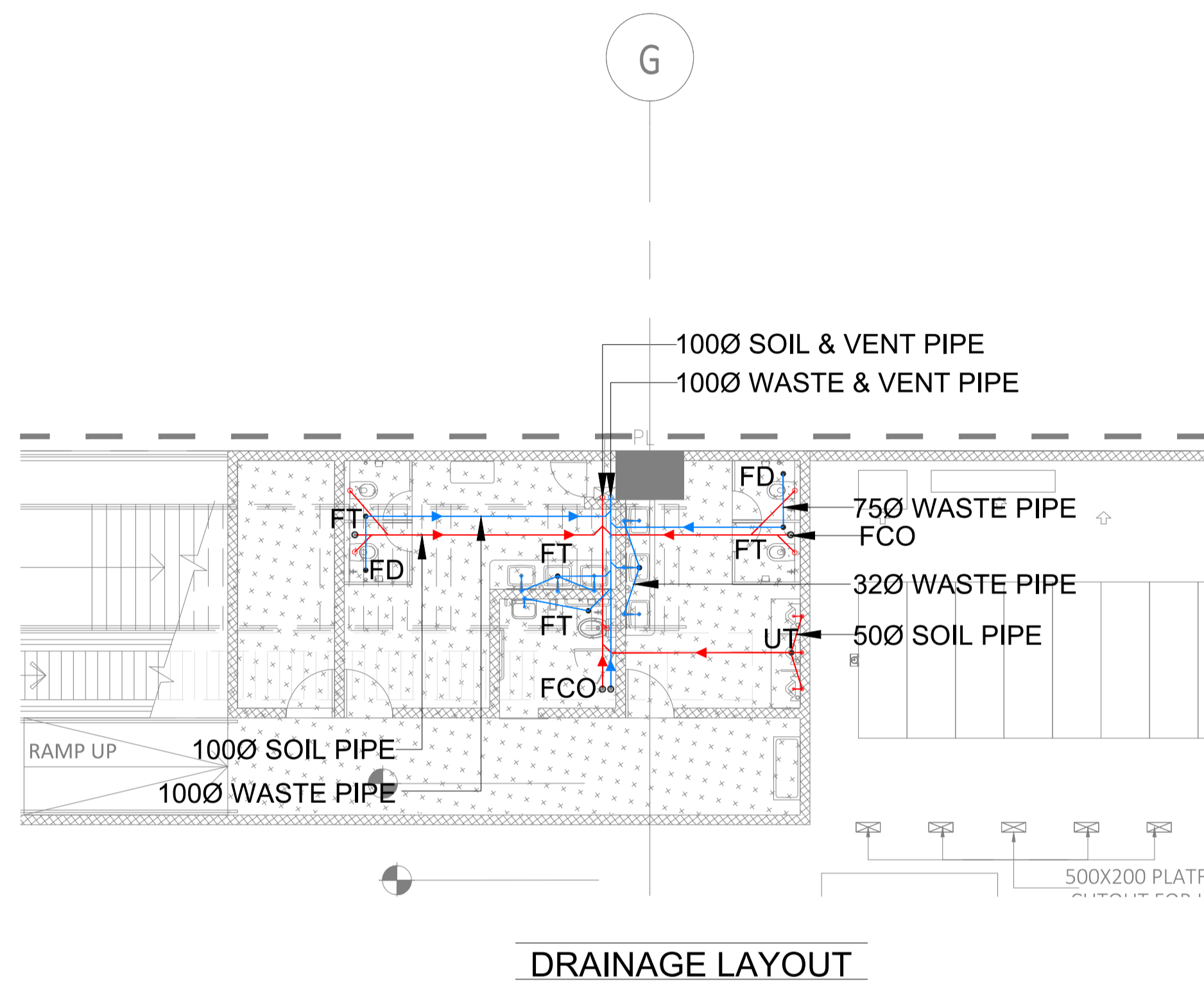
PROJECT: CONTRACT NO: NGNECC-01- Part Design & Construction of Elevated Viaduct and 10 nos. of Elevated Stations for Extension Projects of NMR's Aqua Line from Botanical Garden to Noida Sec-142 (from Chainage (-) 383.959 to 12130.143) and from Depot Station to Boraki MMTH (Chainage 28678.253 to 31263.482)

STATION: NOIDA SECTOR 44 STATION

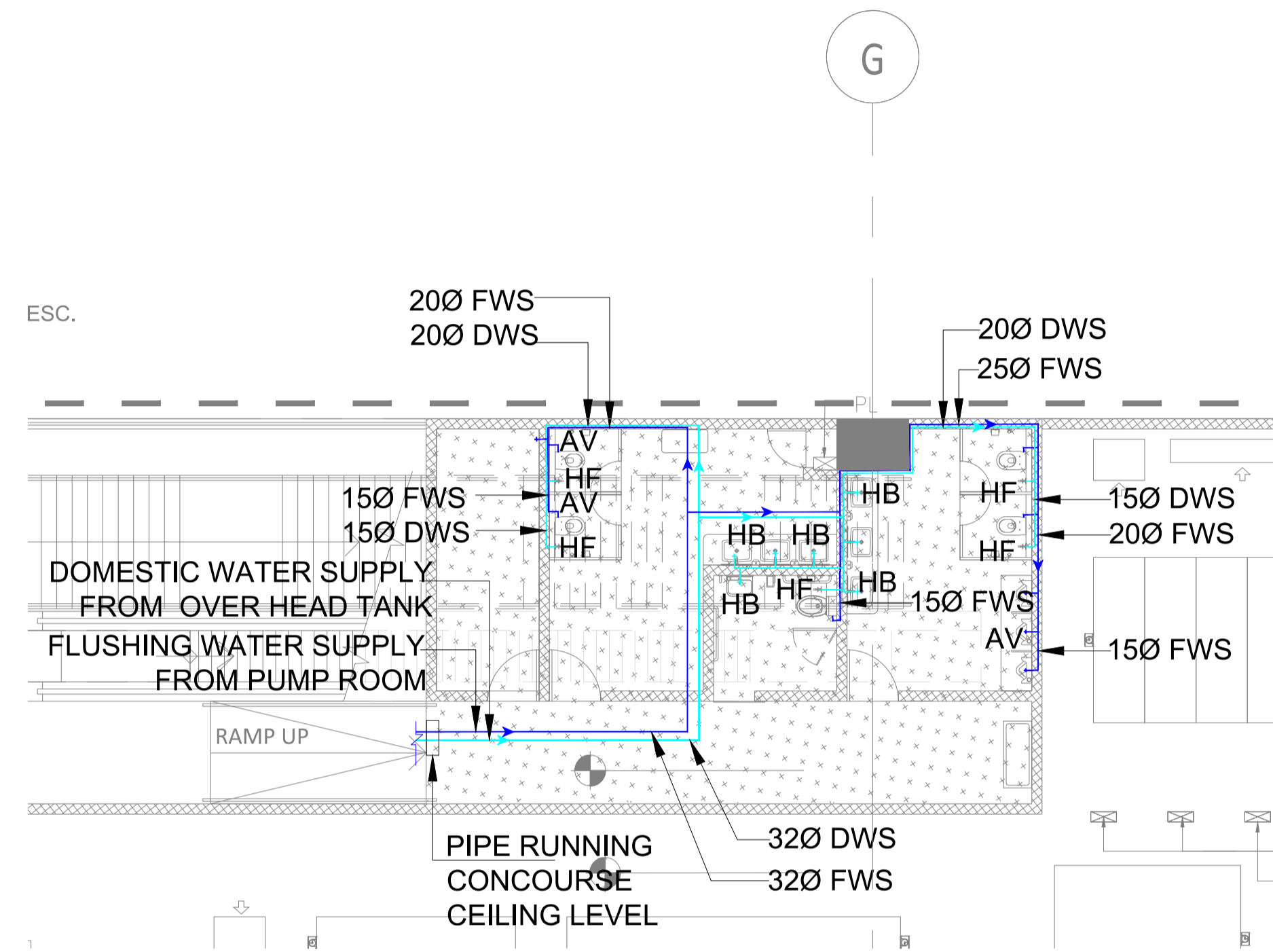
DRAWING TITLE: TYPICAL DETAIL & SECTION - PLUMBING LAYOUT

NORTH	DRAWN BY: HL	CHECKED BY: RK	VERIFIED BY: SJ	APPROVED BY: NG
	DATE: 27-03-2026	REV: R0	SCALE: N.T.S.	STATUS: TEND
ORDER N°	DRAWING NUMBER: NGNE-S44-TED-PLB-10002	SHEET NO. 01 OF 01	SHEET SIZE A-1	NGNECC PLUMBING

This drawing must not be either loaned, copied or otherwise reproduced in whole or in part or used for any purpose without the prior written permission of NMRC.



DRAINAGE LAYOUT



WATER SUPPLY LAYOUT

LEGEND:-	
1	WASTE PIPE
2	SOIL PIPE
3	FLOOR TRAP
4	FLOOR DRAIN
5	URINAL TRAP
6	FLOOR CLEAN OUT
7	DOMESTIC WATER SUPPLY PIPE
8	FLUSHING WATER SUPPLY PIPE
9	DOMESTIC WATER SUPPLY
10	FLUSHING WATER SUPPLY
11	ANGLE VALVE
12	HOSE BIB
13	HEALTH FAUCET
14	BALL VALVE

TENDER DESIGN

NOIDA METRO RAIL CORPORATION LTD.
Block-III, 3rd Floor, Ganga Shopping Complex, Sector-29, Noida -201301, District Gautam Budh Nagar, Uttar Pradesh, India

PROJECT: CONTRACT NO: NGNECC-01- Part Design & Construction of Elevated Viaduct and 10 nos. of Elevated Stations for Extension Projects of NMRC's Aqua Line from Botanical Garden to Noida Sec-142 (from Chainage (-) 383.959 to 12130.143) and from Depot Station to Boraki MMTH (Chainage 28678.253 to 31263.482)

STATION: NOIDA SECTOR 44 STATION

DRAWING TITLE: TOILET DETAIL -PLUMBING LAYOUT

NORTH	DRAWN BY: HL	CHECKED BY: RK	VERIFIED BY: SJ	APPROVED BY: NG
	DATE: 27-03-2026	REV: RO	SCALE: N.T.S.	STATUS: TED
ORDER N°	DRAWING NUMBER: NGNE-S44-TED-PLB-10003	SHEET NO. 01 OF 01	SHEET SIZE A-1	NGNEDDC PLUMBING

This drawing must not be either loaned, copied or otherwise reproduced in whole or in part or used for any purpose without the prior written permission of NMRC.

THIS DRAWING IS THE PROPERTY OF NOIDA METRO RAIL CORPORATION LTD.

GENERAL NOTES		
1. ALL DIMENSIONS ARE IN MILLIMETER UNLESS MENTIONED.		
2. ALL DIMENSIONS ARE TO BE READ AND NOT MEASURED.		
3. ANY DISCREPANCY MUST BE BROUGHT TO THE NOTICE OF THE DMRC BEFORE EXECUTION OF WORK AT SITE.		
4. THIS DRAWING MUST BE READ IN CONJUNCTION WITH ALL RELEVANT ARCHITECTURAL, STRUCTURAL, PLUMBING & FIRE FIGHTING, ELECTRICAL AND TRAFFIC MANAGEMENT DRAWINGS.		

REVISION	DESCRIPTION	DRAWING NO.

REVISIONS				
REV.	DESCRIPTION	DATE	DRAWN BY	CHECKED BY
R0	ISSUED FIRST SUBMISSION OF TENDER DRAWINGS	27-03-2026	HARI LAL	R.K.

APPROVAL OF NMRC OFFICIALS				

Certified that this document has been designed and checked in accordance with DDC Quality Assurance Plan.

Architecture Design In-charge/ Coordinator Structure Design In-charge/ Coordinator E&M Design In-charge/ Coordinator

Authorised Signatory for DDC. NGNEDDC Project Manager

DETAIL DESIGN CONSULTANT :

ayesa

Ayesa India Private Limited
D 99, 3rd Floor, Sector 2, Noida -201301, Gautam Budh Nagar, Uttar Pradesh
Tel.: +(91) 120 490 8800, Email: delhi@ayesa.com

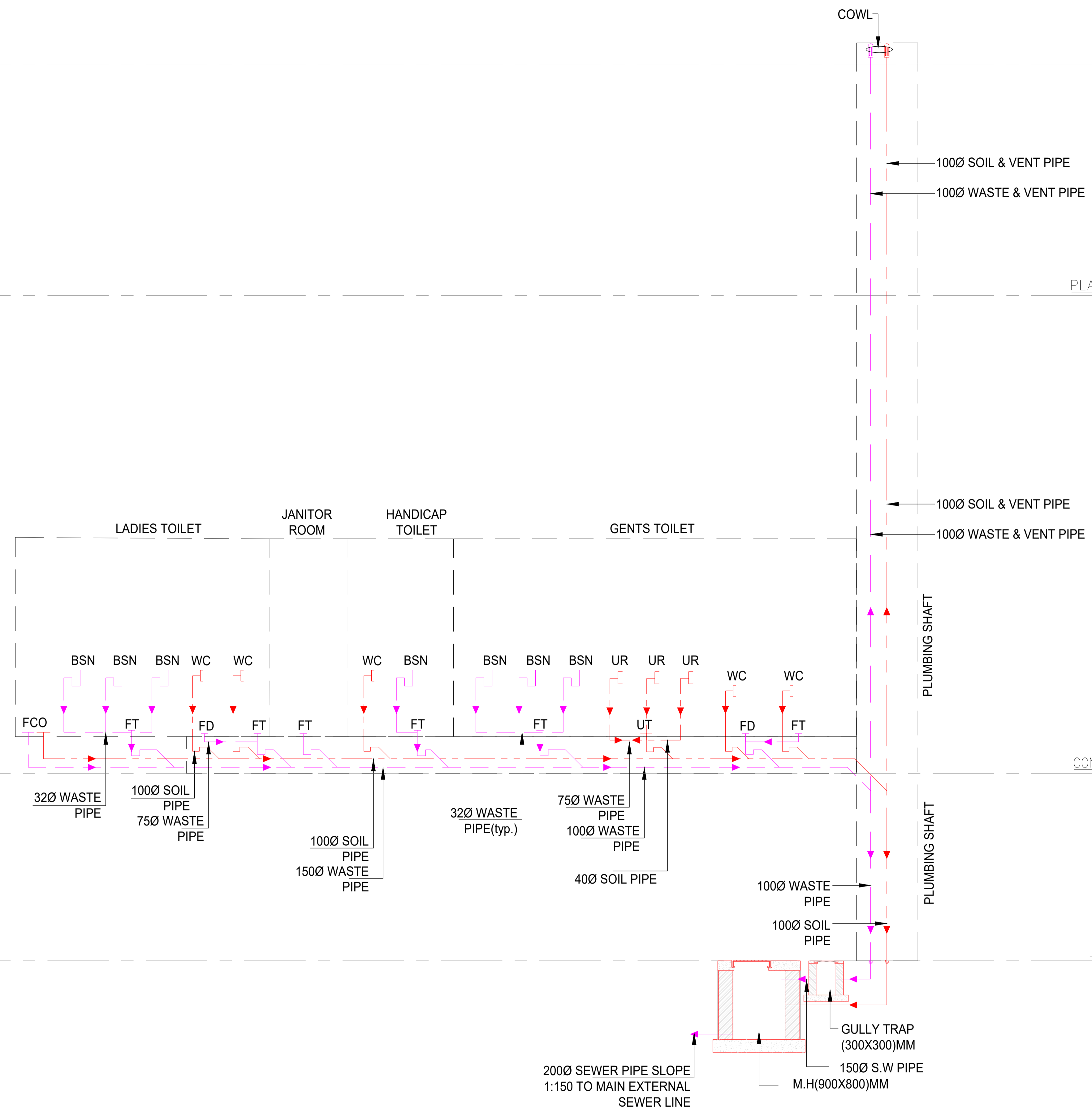
€ OF STATION

ROOF LEVEL

PLATFORM LEVEL

CONCOURSE LEVEL

GROUND LEVEL



LEGEND:-

FT - FLOOR TRAP	
FD - FLOOR DRAIN	
FCO - FLOOR CLEAN OUT	
WC - WATER CLOSED	
BSN - WASH BASIN	
UR - URINAL	
WASTE PIPE	
SOIL PIPE	

SCHEMATIC DIAGRAM FOR SEWAGE SYSTEM

TENDER DESIGN

<p>NOIDA METRO RAIL CORPORATION LTD. Block-III, 3rd Floor, Ganga Shopping Complex, Sector-29, Noida -201301, District Gautam Budh Nagar, Uttar Pradesh, India</p>													
<p>PROJECT: CONTRACT NO: NGNECC-01- Part Design & Construction of Elevated Viaduct and 10 nos. of Elevated Stations for Extension Projects of NMRC's Aqua Line from Botanical Garden to Noida Sec-142 (from Chainage (-) 383.959 to 12130.143) and from Depot Station to Boraki MMTH (Chainage 28678.253 to 31263.482)</p>													
<p>STATION: NOIDA SECTOR 44 STATION</p>													
<p>DRAWING TITLE: SCHEMATIC DIAGRAM FOR SEWAGE SYSTEM</p>													
<p>NORTH</p>	<table border="1"> <tr> <td>DRAWN BY: HL</td> <td>CHECKED BY: RK</td> <td>VERIFIED BY: SJ</td> <td>APPROVED BY: NG</td> </tr> <tr> <td>DATE: 27-03-2026</td> <td>REV: R0</td> <td>SCALE: N.T.S.</td> <td>STATUS: TED</td> </tr> <tr> <td>ORDER N°</td> <td>DRAWING NUMBER: NGNE-S44-TED-PLB-10005</td> <td>SHEET NO. 01 OF 01</td> <td>SHEET SIZE A-1</td> </tr> </table>	DRAWN BY: HL	CHECKED BY: RK	VERIFIED BY: SJ	APPROVED BY: NG	DATE: 27-03-2026	REV: R0	SCALE: N.T.S.	STATUS: TED	ORDER N°	DRAWING NUMBER: NGNE-S44-TED-PLB-10005	SHEET NO. 01 OF 01	SHEET SIZE A-1
DRAWN BY: HL	CHECKED BY: RK	VERIFIED BY: SJ	APPROVED BY: NG										
DATE: 27-03-2026	REV: R0	SCALE: N.T.S.	STATUS: TED										
ORDER N°	DRAWING NUMBER: NGNE-S44-TED-PLB-10005	SHEET NO. 01 OF 01	SHEET SIZE A-1										
<p>This drawing must not be either loaned, copied or otherwise reproduced in whole or in part or used for any purpose without the prior written permission of NMRC.</p>													

Certified that this document has been designed and checked in accordance with DDC Quality Assurance Plan.

Authorised Signatory for DDC: NGNEDDC Project Manager

Architecture Design In-charge/ Coordinator	Structure Design In-charge/ Coordinator	E&M Design In-charge/ Coordinator
--	---	-----------------------------------

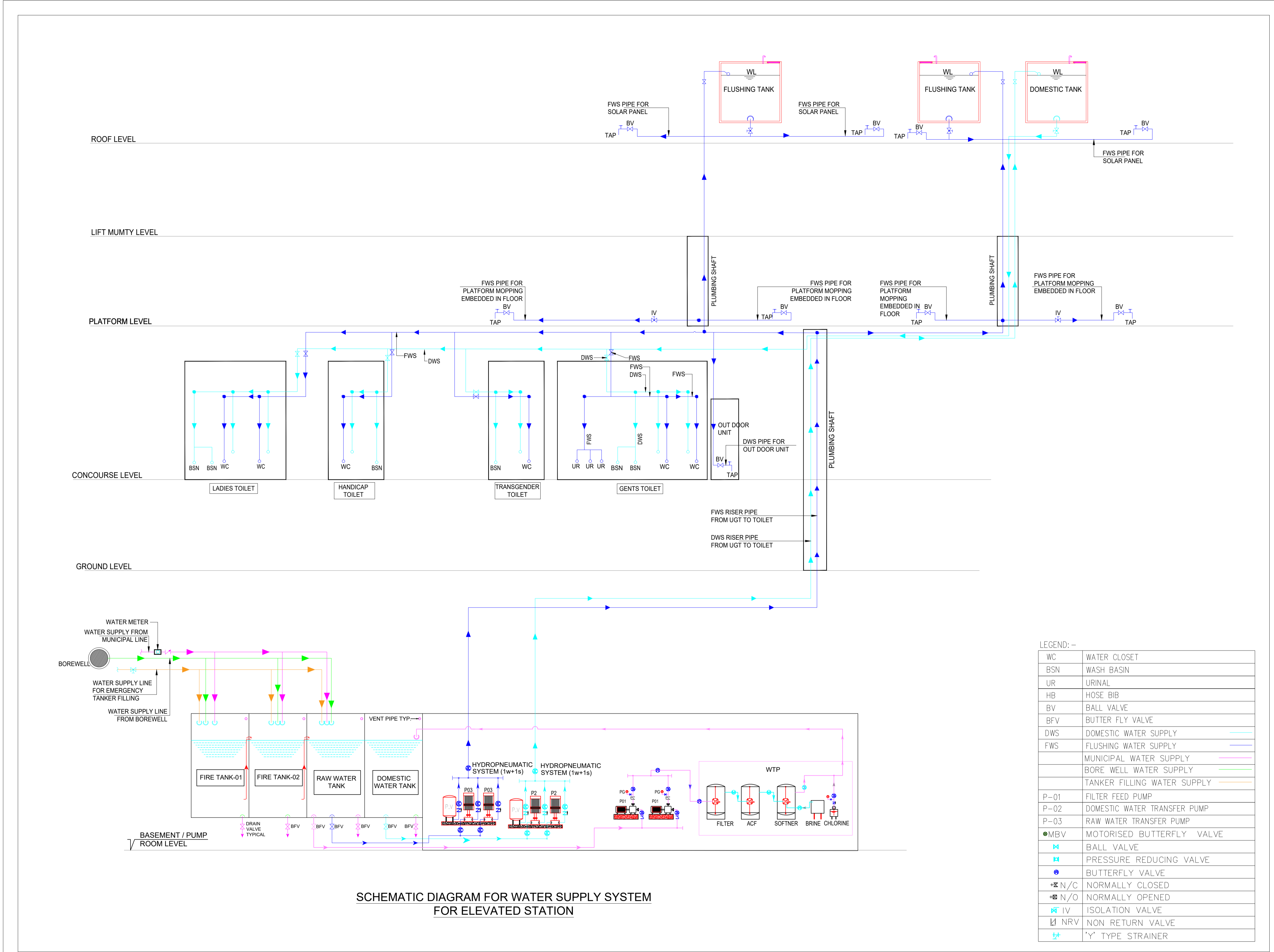


Ayesa India Private Limited
D 99, 3rd Floor, Sector 2, Noida -201301, Gautam Budh Nagar, Uttar Pradesh
Tel.: +(91) 120 490 8800, Email: delhi@ayesa.com

REVISIONS				APPROVAL OF NMRC OFFICIALS			
REV.	DESCRIPTION	DATE	DRAWN BY	CHECKED BY			
R0	ISSUED FIRST SUBMISSION OF TENDER DRAWINGS	27-03-2026	HARI LAL	R.K.			

REFERENCE DRAWINGS		DRAWING NO.
REVISION	DESCRIPTION	

THIS DRAWING IS THE PROPERTY OF NOIDA METRO RAIL CORPORATION LTD.



LEGEND: -

WC	WATER CLOSET
BSN	WASH BASIN
UR	URINAL
HB	HOSE BIB
BV	BALL VALVE
BFV	BUTTER FLY VALVE
DWS	DOMESTIC WATER SUPPLY
FWS	FLUSHING WATER SUPPLY
	MUNICIPAL WATER SUPPLY
	BORE WELL WATER SUPPLY
	TANKER FILLING WATER SUPPLY
P-01	FILTER FEED PUMP
P-02	DOMESTIC WATER TRANSFER PUMP
P-03	RAW WATER TRANSFER PUMP
MBV	MOTORIZED BUTTERFLY VALVE
	BALL VALVE
	PRESSURE REDUCING VALVE
	BUTTERFLY VALVE
N/C	NORMALLY CLOSED
N/O	NORMALLY OPENED
IV	ISOLATION VALVE
NRV	NON RETURN VALVE
Y	'Y' TYPE STRAINER

SCHEMATIC DIAGRAM FOR WATER SUPPLY SYSTEM FOR ELEVATED STATION

TENDER DESIGN

NOIDA METRO RAIL CORPORATION LTD.
 Block-III, 3rd Floor, Ganga Shopping Complex, Sector-29, Noida -201301, District Gautam Budh Nagar, Uttar Pradesh, India

PROJECT: CONTRACT NO: NGNECC-01- Part Design & Construction of Elevated Viaduct and 10 nos. of Elevated Stations for Extension Projects of NMR's Aqua Line from Botanical Garden to Noida Sec-142 (from Chainage (-) 383.959 to 12130.143) and from Depot Station to Boraki MMTH (Chainage 28678.253 to 31263.482)

STATION: NOIDA SECTOR 44 STATION

DRAWING TITLE: SCHEMATIC DIAGRAM FOR WATER SUPPLY SYSTEM

NORTH	DRAWN BY: HL	CHECKED BY: RK	VERIFIED BY: SJ	APPROVED BY: NG
	DATE: 27-03-2026	REV: R0	SCALE: N.T.S.	STATUS: TED
ORDER N°	DRAWING NUMBER: NGNE-S44-TED-PLB-10006	SHEET NO: 01 OF 01	SHEET SIZE: A-1	

NGNEDCC PLUMBING

Certified that this document has been designed and checked in accordance with DDC Quality Assurance Plan.

Authorised Signatory for DDC: NGNEDCC Project Manager

Architecture Design In-charge/ Coordinator Structure Design In-charge/ Coordinator E&M Design In-charge/ Coordinator

ayesa

Ayesa India Private Limited
 D 99, 3rd Floor, Sector 2, Noida -201301, Gautam Budh Nagar, Uttar Pradesh
 Tel.: +(91) 120 490 8800, Email: delhi@ayesa.com

GENERAL NOTES			
1. ALL DIMENSIONS ARE IN MILLIMETER UNLESS MENTIONED.			
2. ALL DIMENSIONS ARE TO BE READ AND NOT MEASURED.			
3. ANY DISCREPANCY MUST BE BROUGHT TO THE NOTICE OF THE DMRC BEFORE EXECUTION OF WORK AT SITE.			
4. THIS DRAWING MUST BE READ IN CONJUNCTION WITH ALL RELEVANT ARCHITECTURAL, STRUCTURAL, PLUMBING & FIRE FIGHTING, ELECTRICAL AND TRAFFIC MANAGEMENT DRAWINGS.			

REVISIONS				
REV.	DESCRIPTION	DATE	DRAWN BY	CHECKED BY
R0	ISSUED FIRST SUBMISSION OF TENDER DRAWINGS	27-03-2026	HARI LAL	R.K.

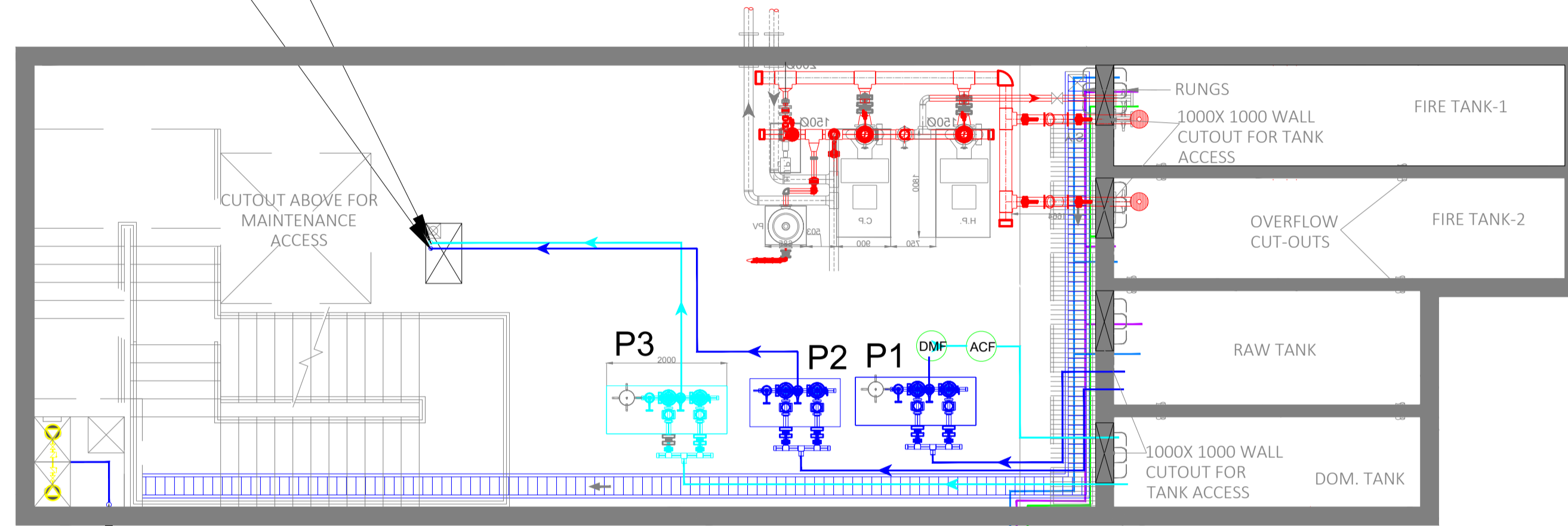
REFERENCE DRAWINGS		
REVISION	DESCRIPTION	DRAWING NO.

APPROVAL OF NMRC OFFICIALS				
NO.	NAME	DESIGNATION	DATE	SIGNATURE

THIS DRAWING IS THE PROPERTY OF NOIDA METRO RAIL CORPORATION LTD.

This drawing must not be either loaned, copied or otherwise reproduced in whole or in part or used for any purpose without the prior written permission of NMRC.

50Ø DOMESTIC WATER SUPPLY PIPE TO CONCOURSE TOILET & O.H. TANK
 50Ø FLUSHING WATER SUPPLY PIPE TO ROOF LEVEL O.H. TANK



80Ø SUMP RISER PIPE TO EXTERNAL CATCH BASIN
 80Ø TANKER SUPPLY
 80Ø MUNICIPAL WATER SUPPLY
 80Ø BORE WELL WATER SUPPLY
WATER TANKS & PUMP ROOM AT BASEMENT LEVEL

LEGEND:-

S.NO.	SYMBOL	DESCRIPTION
1		BUTTERFLY VALVE
2		NON RETURN VALVE
3		FLUSHING WATER SUPPLY LINE
4		DOMESTIC WATER SUPPLY LINE
5		DUAL MEDIA FILTER
6		ACTIVATE CARBON FILTER

SIZE OF FOUNDATION OF PUMPS		
ITEM	PUMPS	DRIVE
P1	RAW WATER FILTRATION PUMP	ELECTRIC
P2	RAW WATER TRANSFER PUMP	ELECTRIC
P3	DOMESTIC WATER TRANSFER PUMP	ELECTRIC

TENDER DESIGN

NOIDA METRO RAIL CORPORATION LTD.
 Block-III, 3rd Floor, Ganga Shopping Complex, Sector-29, Noida -201301,
 District Gautam Budh Nagar, Uttar Pradesh, India

PROJECT: CONTRACT NO: NGNECC-01- Part Design & Construction of Elevated Viaduct and 10 nos. of Elevated Stations for Extension Projects of NMRC's Aqua Line from Botanical Garden to Noida Sec-142 (from Chainage (-) 383.959 to 12130.143) and from Depot Station to Boraki MMTH (Chainage 28678.253 to 31263.482)

STATION: NOIDA SECTOR 44 STATION

DRAWING TITLE: PUMP ROOM-PLUMBING LAYOUT

NORTH	DRAWN BY: HL	CHECKED BY: RK	VERIFIED BY: SJ	APPROVED BY: NG
	DATE: 27-03-2026	REV: R0	SCALE: 1:75	STATUS: TED
ORDER N°	DRAWING NUMBER: NGNE-S44-TED-PLB-12001		SHEET NO. 01 OF 01	SHEET SIZE A-1

This drawing must not be either loaned, copied or otherwise reproduced in whole or in part or used for any purpose without the prior written permission of NMRC.

GENERAL NOTES:
 1. ALL DIMENSIONS ARE IN MILLIMETER UNLESS MENTIONED.
 2. ALL DIMENSIONS ARE TO BE READ AND NOT MEASURED.
 3. ANY DISCREPANCY MUST BE BROUGHT TO THE NOTICE OF THE NMRC BEFORE EXECUTION OF WORK AT SITE.
 4. THIS DRAWING MUST BE READ IN CONJUNCTION WITH ALL RELEVANT ARCHITECTURAL, STRUCTURAL, PLUMBING & FIRE FIGHTING, ELECTRICAL AND TRAFFIC MANAGEMENT DRAWINGS.

REVISION	DESCRIPTION	DRAWING NO.
R0	ISSUED FIRST SUBMISSION OF TENDER DRAWINGS	

REVISIONS				
REV.	DESCRIPTION	DATE	DRAWN BY	CHECKED BY
R0	ISSUED FIRST SUBMISSION OF TENDER DRAWINGS	27-03-2026	HARI LAL	R.K.

APPROVAL OF NMRC OFFICIALS				

Certified that this document has been designed and checked in accordance with DDC Quality Assurance Plan.

Authorised Signatory for DDC.
 NGNEDDC Project Manager

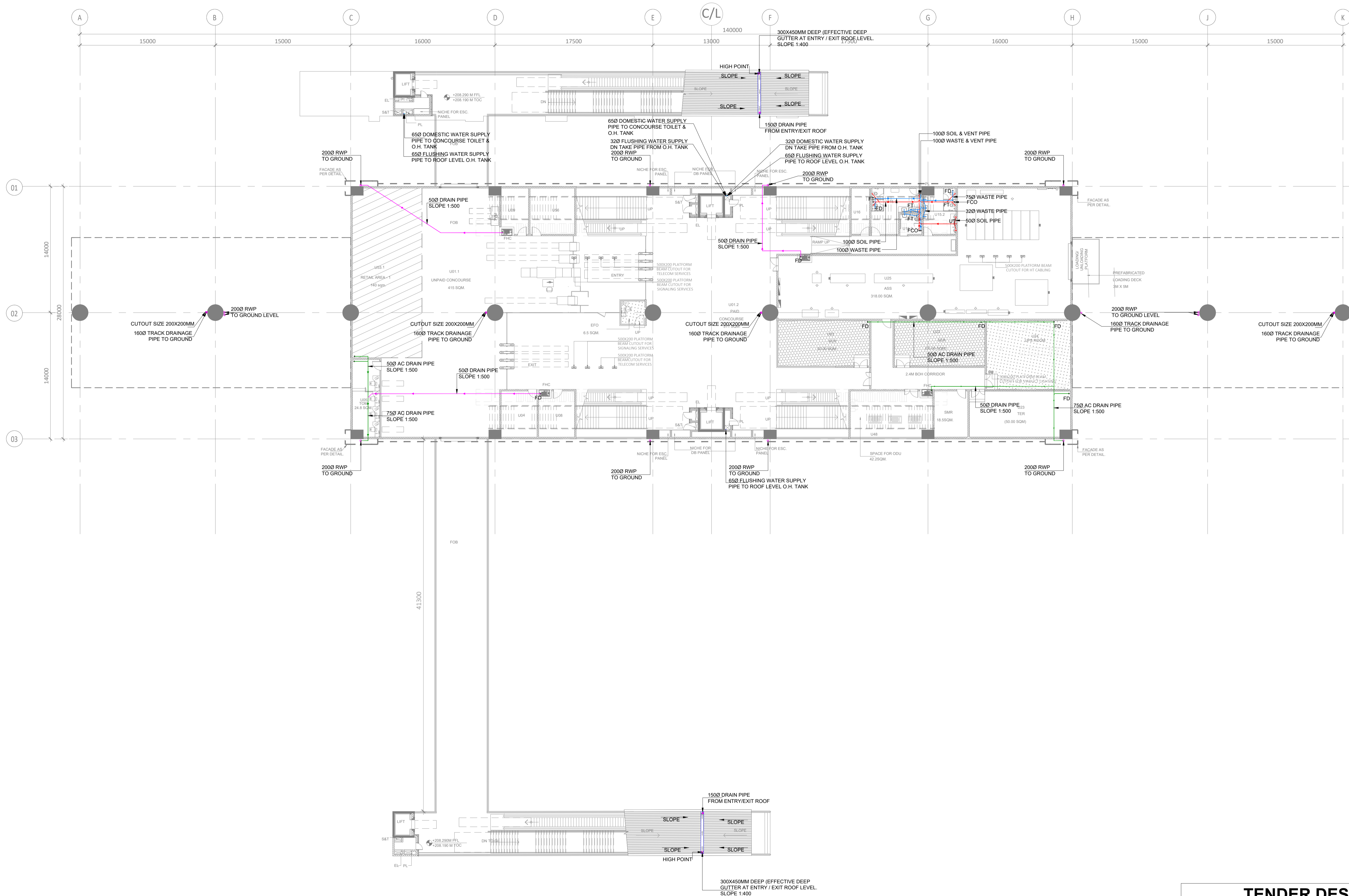
Architecture Design In-charge/ Coordinator
 Structure Design In-charge/ Coordinator
 E&M Design In-charge/ Coordinator

DETAIL DESIGN CONSULTANT :



Ayesa India Private Limited
 D 99, 3rd Floor, Sector 2, Noida -201301, Gautam
 Budh Nagar, Uttar Pradesh
 Tel.: +(91) 120 490 8800, Email: delhi@ayesa.com

PLUMBING



GENERAL NOTES

1. ALL DIMENSIONS ARE IN MILLIMETER UNLESS MENTIONED.
2. ALL DIMENSIONS ARE TO BE READ AND NOT MEASURED.
3. ANY DISCREPANCY MUST BE BROUGHT TO THE NOTICE OF THE DMRC BEFORE EXECUTION OF WORK AT SITE.
4. THIS DRAWING MUST BE READ IN CONJUNCTION WITH ALL RELEVANT ARCHITECTURAL, STRUCTURAL, PLUMBING & FIRE FIGHTING, ELECTRICAL AND TRAFFIC MANAGEMENT DRAWINGS.

REVISION	DESCRIPTION	DRAWING NO.

REV.	DESCRIPTION	DATE	DRAWN BY	CHECKED BY
R0	ISSUED FIRST SUBMISSION OF TENDER DRAWINGS	27-03-2026	HARI LAL	R.K.

APPROVAL OF NMRC OFFICIALS

Certified that this document has been designed and checked in accordance with DDC Quality Assurance Plan.

Architecture Design In-charge/ Coordinator: _____
 Structure Design In-charge/ Coordinator: _____
 E&M Design In-charge/ Coordinator: _____

Authorised Signatory for DDC, NGNEDDC Project Manager: _____

DETAIL DESIGN CONSULTANT :

ayesa
 Ayesa India Private Limited
 D 99, 3rd Floor, Sector 2, Noida -201301, Gautam Budh Nagar, Uttar Pradesh
 Tel.: +(91) 120 490 8800, Email: delhi@ayesa.com

TENDER DESIGN

NOIDA METRO RAIL CORPORATION LTD.
 Block-III, 3rd Floor, Ganga Shopping Complex, Sector-29, Noida -201301, District Gautam Budh Nagar, Uttar Pradesh, India

PROJECT: CONTRACT NO: NGNECC-01- Part Design & Construction of Elevated Viaduct and 10 nos. of Elevated Stations for Extension Projects of NMRC's Aqua Line from Botanical Garden to Noida Sec-142 (from Chainage (-) 383.959 to 12130.143) and from Depot Station to Boraki MMTH (Chainage 28678.253 to 31263.482)

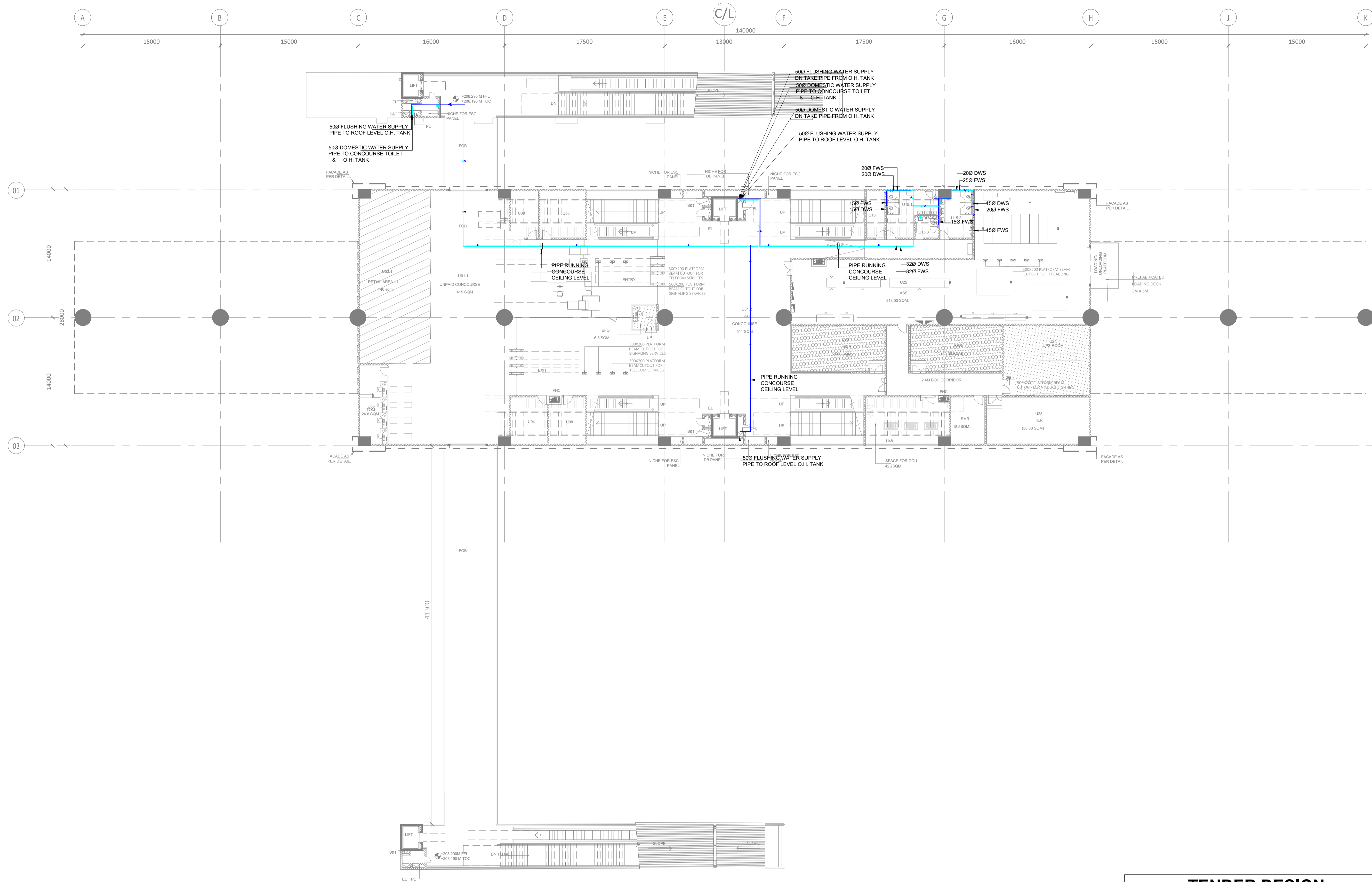
STATION: NOIDA SECTOR 44 STATION

DRAWING TITLE: CONCOURSE LEVEL PLAN -DRAINAGE LAYOUT

NORTH	DRAWN BY: HL	CHECKED BY: RK	VERIFIED BY: SJ	APPROVED BY: NG
	DATE: 27-03-2026	REV: R0	SCALE: 1:200	STATUS: TED
ORDER N°	DRAWING NUMBER: NGNE-S44-TED-PLB-13001		SHEET NO. 01 OF 01	SHEET SIZE A-1

This drawing must not be either loaned, copied or otherwise reproduced in whole or in part or used for any purpose without the prior written permission of NMRC.

THIS DRAWING IS THE PROPERTY OF Noida Metro Rail Corporation Ltd.



TENDER DESIGN

NOIDA METRO RAIL CORPORATION LTD.
 Block-III, 3rd Floor, Ganga Shopping Complex, Sector-29, Noida -201301,
 District Gautam Budh Nagar, Uttar Pradesh, India

PROJECT: CONTRACT NO: NGENCC-01- Part Design & Construction of Elevated Viaduct and 10 nos. of Elevated Stations for Extension Projects of NMR's Aqua Line from Botanical Garden to Noida Sec-142 (from Chainage (-) 383.959 to 12130.143) and from Depot Station to Boraki MMTH (Chainage 28678.253 to 31263.482)

STATION: NOIDA SECTOR 44 STATION

DRAWING TITLE: CONCOURSE LEVEL PLAN -WATER SUPPLY LAYOUT

NORTH	DRAWN BY: HL	CHECKED BY: RK	VERIFIED BY: SJ	APPROVED BY: NG
	DATE: 27-03-2026	REV: R0	SCALE: N.T.S.	STATUS: TED
ORDER N°	DRAWING NUMBER: NGEN-S44-TED-PLB-13002	SHEET NO: 01 OF 01	SHEET SIZE: A-1	

This drawing must not be either loaned, copied or otherwise reproduced in whole or in part or used for any purpose without the prior written permission of NMRC.

GENERAL NOTES	
1. ALL DIMENSIONS ARE IN MILLIMETER UNLESS MENTIONED.	
2. ALL DIMENSIONS ARE TO BE READ AND NOT MEASURED.	
3. ANY DISCREPANCY MUST BE BROUGHT TO THE NOTICE OF THE DMRC BEFORE EXECUTION OF WORK AT SITE.	
4. THIS DRAWING MUST BE READ IN CONJUNCTION WITH ALL RELEVANT ARCHITECTURAL, STRUCTURAL, PLUMBING & FIRE FIGHTING, ELECTRICAL AND TRAFFIC MANAGEMENT DRAWINGS.	

REVISION	DESCRIPTION	DRAWING NO.

REVISIONS				
REV.	DESCRIPTION	DATE	DRAWN BY	CHECKED BY
R0	ISSUED FIRST SUBMISSION OF TENDER DRAWINGS	27-03-2026	HARI LAL	R.K.

APPROVAL OF NMRC OFFICIALS				

Certified that this document has been designed and checked in accordance with DDC Quality Assurance Plan.

Authorised Signatory for DDC: NGNEDDC Project Manager

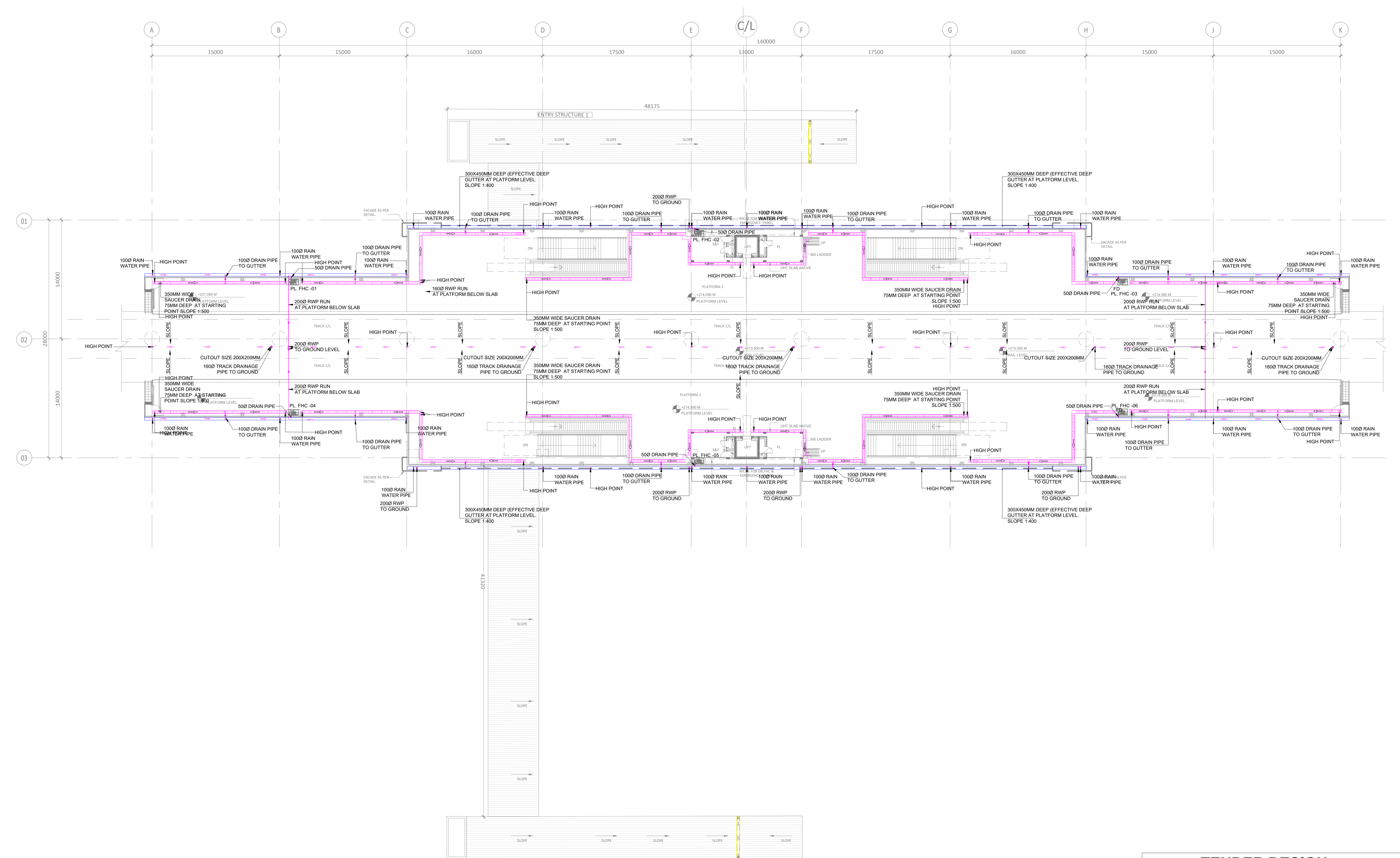
Architecture Design In-charge/ Coordinator	Structure Design In-charge/ Coordinator	E&M Design In-charge/ Coordinator
---	--	--------------------------------------

DETAIL DESIGN CONSULTANT :

ayesa

Ayesa India Private Limited
 D 99, 3rd Floor, Sector 2, Noida -201301, Gautam
 Budh Nagar, Uttar Pradesh
 Tel.: +(91) 120 490 8800, Email: delhi@ayesa.com

THIS DRAWING IS THE PROPERTY OF Noida Metro Rail Corporation Ltd.



GENERAL NOTES

- ALL DIMENSIONS ARE IN MILLIMETER UNLESS MENTIONED.
- ALL DIMENSIONS ARE TO BE READ AND NOT MEASURED.
- ANY DISCREPANCY MUST BE BROUGHT TO THE NOTICE OF THE DMRC BEFORE EXECUTION OF WORK AT SITE.
- THIS DRAWING MUST BE READ IN CONJUNCTION WITH ALL RELEVANT ARCHITECTURAL, STRUCTURAL, PLUMBING & FIRE FIGHTING, ELECTRICAL AND TRAFFIC MANAGEMENT DRAWINGS.

REVISION	DESCRIPTION	DRAWING NO.

REV.	DESCRIPTION	DATE	DRAWN BY	CHECKED BY
R0	ISSUED FIRST SUBMISSION OF TENDER DRAWINGS	27-03-2026	HARI LAL	R.K.

APPROVAL OF NMRC OFFICIALS

--	--	--	--	--	--	--	--	--	--

Certified that this document has been designed and checked in accordance with DDC Quality Assurance Plan.

Architecture Design In-charge/ Coordinator: _____
 Structure Design In-charge/ Coordinator: _____
 E&M Design In-charge/ Coordinator: _____

Authorised Signatory for DDC, NGNEDDC Project Manager

DETAIL DESIGN CONSULTANT :

ayesa
 Ayesa India Private Limited
 D 99, 3rd Floor, Sector 2, Noida -201301, Gautam Budh Nagar, Uttar Pradesh
 Tel.: +(91) 120 490 8800, Email: delhi@ayesa.com

TENDER DESIGN

NOIDA METRO RAIL CORPORATION LTD.
 Block-III, 3rd Floor, Ganga Shopping Complex, Sector-29, Noida -201301, District Gautam Budh Nagar, Uttar Pradesh, India

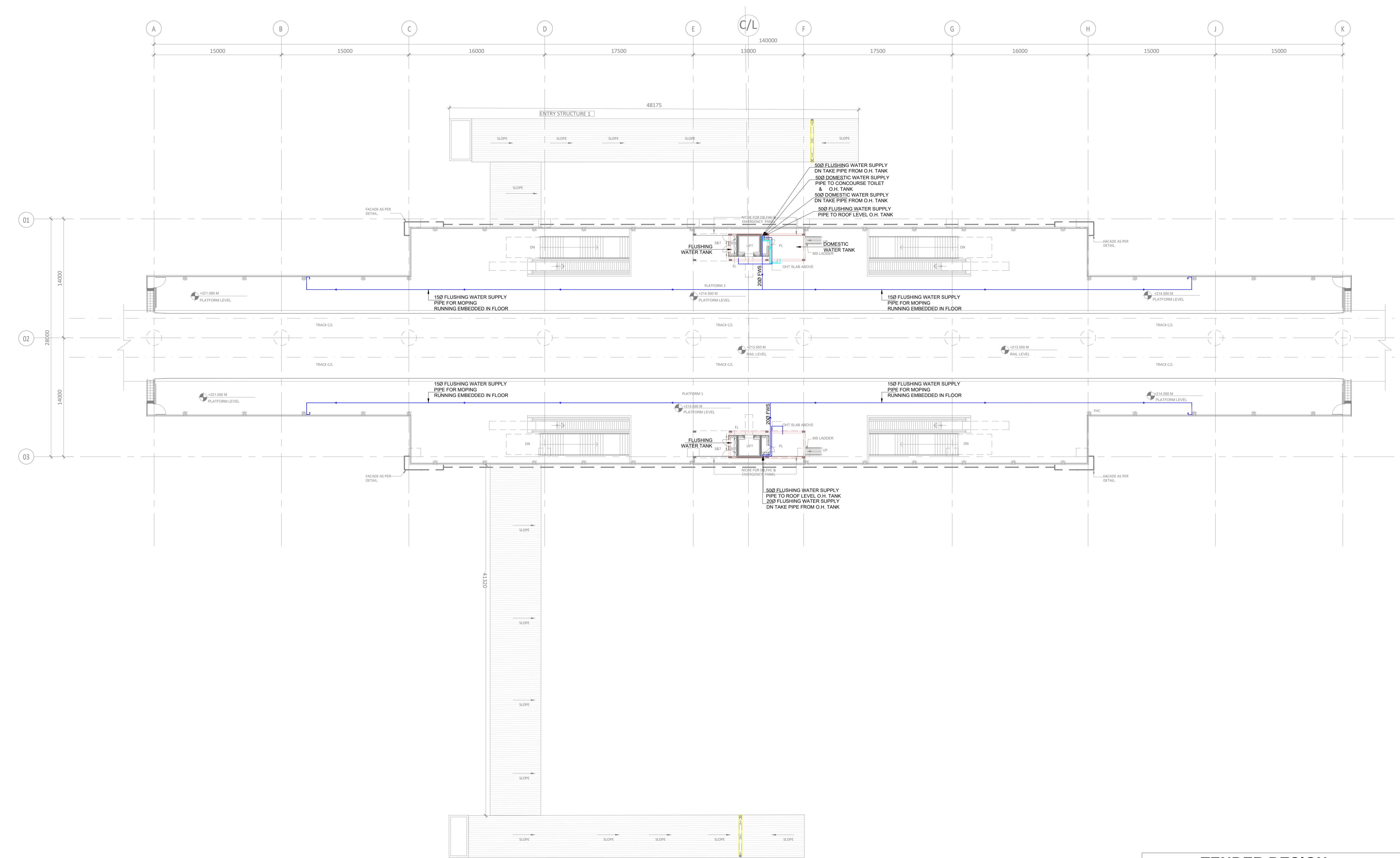
PROJECT: CONTRACT NO: NGNECC-01- Part Design & Construction of Elevated Viaduct and 10 nos. of Elevated Stations for Extension Projects of NMRC's Aqua Line from Botanical Garden to Noida Sec-142 (from Chainage (+) 383.959 to 12130.143) and from Depot Station to Boraki MMTH (Chainage 28678.253 to 31263.482)

STATION: NOIDA SECTOR 44 STATION

DRAWING TITLE: PLATFORM LEVEL PLAN-DRAINAGE LAYOUT

ORDER N°	DRAWING NUMBER	DRAWN BY: HL	CHECKED BY: RK	VERIFIED BY: SJ	APPROVED BY: NG
		DATE: 27-03-2026	REV: R0	SCALE: 1:200	STATUS: TED
		DRAWING NUMBER: NGNE-S44-TED-PLB-14001		SHEET NO. 01 OF 01	SHEET SIZE A-1

This drawing must not be either loaned, copied or otherwise reproduced in whole or in part or used for any purpose without the prior written permission of NMRC.



GENERAL NOTES

- ALL DIMENSIONS ARE IN MILLIMETER UNLESS MENTIONED.
- ALL DIMENSIONS ARE TO BE READ AND NOT MEASURED.
- ANY DISCREPANCY MUST BE BROUGHT TO THE NOTICE OF THE DMRC BEFORE EXECUTION OF WORK AT SITE.
- THIS DRAWING MUST BE READ IN CONJUNCTION WITH ALL RELEVANT ARCHITECTURAL, STRUCTURAL, PLUMBING & FIRE FIGHTING, ELECTRICAL AND TRAFFIC MANAGEMENT DRAWINGS.

REVISION	DESCRIPTION	DRAWING NO.

REVISIONS				
REV.	DESCRIPTION	DATE	DRAWN BY	CHECKED BY
R0	ISSUED FIRST SUBMISSION OF TENDER DRAWINGS	27-03-2026	HARI LAL	R.K.

APPROVAL OF NMRC OFFICIALS				
NO.	NAME	DESIGNATION	DATE	SIGNATURE

Certified that this document has been designed and checked in accordance with DDC Quality Assurance Plan.

Authorised Signatory for DDC.
NGNEDDC Project Manager

Architecture Design In-charge/ Coordinator	Structure Design In-charge/ Coordinator	E&M Design In-charge/ Coordinator
---	--	--------------------------------------

DETAIL DESIGN CONSULTANT :

ayesa

Ayesa India Private Limited
D 99, 3rd Floor, Sector 2, Noida -201301, Gautam
Budh Nagar, Uttar Pradesh
Tel.: +(91) 120 490 8800, Email: delhi@ayesa.com

TENDER DESIGN

NOIDA METRO RAIL CORPORATION LTD.
Block-III, 3rd Floor, Ganga Shopping Complex, Sector-29, Noida -201301,
District Gautam Budh Nagar, Uttar Pradesh, India

PROJECT: CONTRACT NO: NGNECC-01- Part Design & Construction of Elevated Viaduct and 10 nos. of Elevated Stations for Extension Projects of NMRC's Aqua Line from Botanical Garden to Noida Sec-142 (from Chainage (-) 383.959 to 12130.143) and from Depot Station to Boraki MMTH (Chainage 28678.253 to 31263.482)

STATION: NOIDA SECTOR 44 STATION

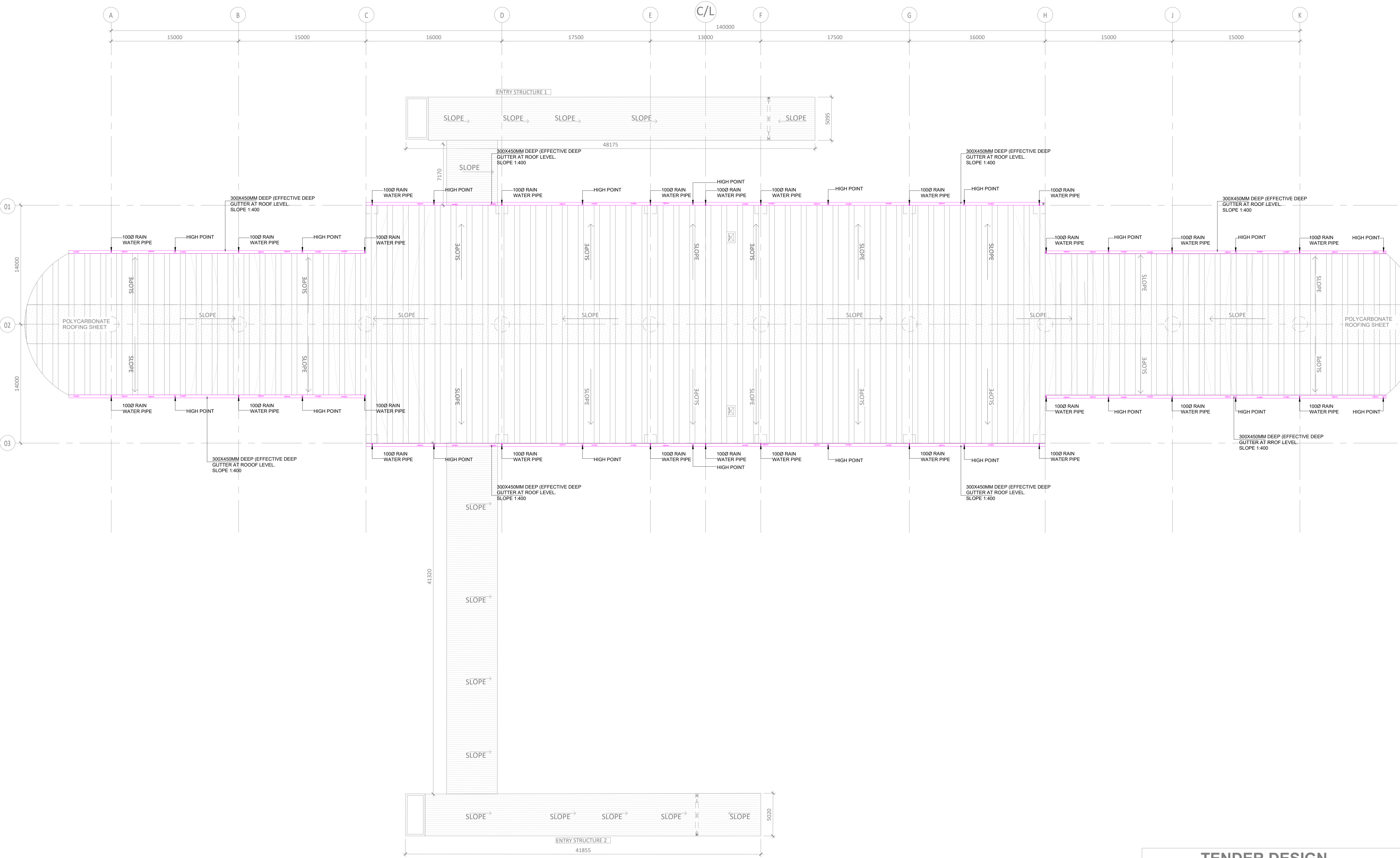
DRAWING TITLE: PLATFORM LEVEL PLAN-WATER SUPPLY LAYOUT

NORTH	DRAWN BY:	CHECKED BY:	VERIFIED BY:	APPROVED BY:
	HL	RK	SJ	NG
	DATE:	REV:	SCALE:	STATUS:
	27-03-2026	RO	1:200	TED
	DRAWING NUMBER:	SHEET NO.	SHEET SIZE	
	NGNE-S44-TED-PLB-14002	01 OF 01	A-1	

ORDER N°

NGNEDDC
PLUMBING

This drawing must not be either loaned, copied or otherwise reproduced in whole or in part or used for any purpose without the prior written permission of NMRC.



GENERAL NOTES

- ALL DIMENSIONS ARE IN MILLIMETER UNLESS MENTIONED.
- ALL DIMENSIONS ARE TO BE READ AND NOT MEASURED.
- ANY DISCREPANCY MUST BE BROUGHT TO THE NOTICE OF THE DMRC BEFORE EXECUTION OF WORK AT SITE.
- THIS DRAWING MUST BE READ IN CONJUNCTION WITH ALL RELEVANT ARCHITECTURAL, STRUCTURAL, PLUMBING & FIRE FIGHTING, ELECTRICAL AND TRAFFIC MANAGEMENT DRAWINGS.

REVISION	DESCRIPTION	DRAWING NO.

REV.	DESCRIPTION	DATE	DRAWN BY	CHECKED BY
R0	ISSUED FIRST SUBMISSION OF TENDER DRAWINGS	27-03-2026	HARI LAL	R.K.

APPROVAL OF NMRC OFFICIALS				

Certified that this document has been designed and checked in accordance with DDC Quality Assurance Plan.

Authorised Signatory for DDC.
NGNEDDC Project Manager

Architecture Design In-charge/ Coordinator	Structure Design In-charge/ Coordinator	E&M Design In-charge/ Coordinator
---	--	--------------------------------------

DETAIL DESIGN CONSULTANT :

ayesa
Ayesa India Private Limited
D 99, 3rd Floor, Sector 2, Noida -201301, Gautam
Budh Nagar, Uttar Pradesh
Tel.: +(91) 120 490 8800, Email: delhi@ayesa.com

TENDER DESIGN

NOIDA METRO RAIL CORPORATION LTD.
Block-III, 3rd Floor, Ganga Shopping Complex, Sector-29, Noida -201301,
District Gautam Budh Nagar, Uttar Pradesh, India

PROJECT: CONTRACT NO: NGNECC-01- Part Design & Construction of Elevated Viaduct and 10 nos. of Elevated Stations for Extension Projects of NMRC's Aqua Line from Botanical Garden to Noida Sec-142 (from Chainage (-) 383.959 to 12130.143) and from Depot Station to Boraki MMTH (Chainage 28678.253 to 31263.482)

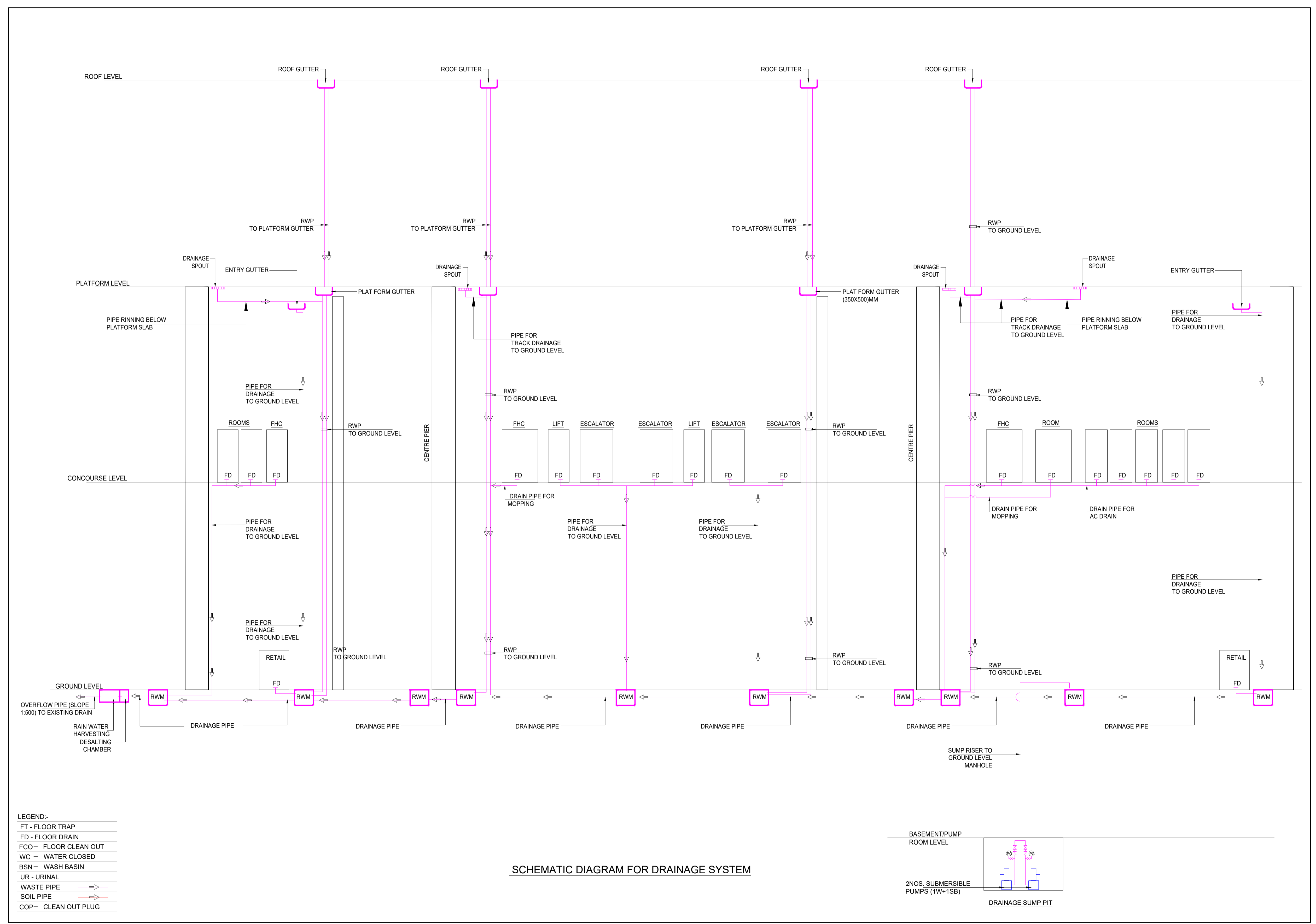
STATION: **NOIDA SECTOR 44 STATION**

DRAWING TITLE: **ROOF LEVEL PLAN-DRAINAGE LAYOUT**

NORTH	DRAWN BY: <i>HL</i>	CHECKED BY: <i>RK</i>	VERIFIED BY: <i>SJ</i>	APPROVED BY: <i>NG</i>
	DATE: 27-03-2026	REV: R0	SCALE: N.T.S.	STATUS: TED
ORDER N°	DRAWING NUMBER: NGNE-S44-TED-PLB-15001		SHEET NO. 01 OF 01	SHEET SIZE A-1

NGNEDDC
PLUMBING

This drawing must not be either loaned, copied or otherwise reproduced in whole or in part or used for any purpose without the prior written permission of NMRC.



SCHMATIC DIAGRAM FOR DRAINAGE SYSTEM

LEGEND:-

FT - FLOOR TRAP
FD - FLOOR DRAIN
FCO - FLOOR CLEAN OUT
WC - WATER CLOSED
BSN - WASH BASIN
UR - URINAL
WASTE PIPE
SOIL PIPE
COP - CLEAN OUT PLUG

TENDER DESIGN

NOIDA METRO RAIL CORPORATION LTD.
Block-III, 3rd Floor, Ganga Shopping Complex, Sector-29, Noida -201301,
District Gautam Budh Nagar, Uttar Pradesh, India

PROJECT: CONTRACT NO: NGNECC-01- Part Design & Construction of Elevated Viaduct and 10 nos. of Elevated Stations for Extension Projects of NMR's Aqua Line from Botanical Garden to Noida Sec-142 (from Chainage (-) 383.959 to 12130.143) and from Depot Station to Boraki MMTH (Chainage 28678.253 to 31263.482)

STATION: NOIDA SECTOR 44 STATION

DRAWING TITLE: SCHEMATIC DIAGRAM FOR DRAINAGE SYSTEM

NORTH	DRAWN BY: HL	CHECKED BY: RK	VERIFIED BY: SJ	APPROVED BY: NG
	DATE: 27-03-2026	REV: R0	SCALE: N.T.S.	STATUS: TED
ORDER N°	DRAWING NUMBER: NGNE-S44-TED-PLB-10004	SHEET NO: 01 OF 01	SHEET SIZE: A-1	

GENERAL NOTES:
1. ALL DIMENSIONS ARE IN MILLIMETER UNLESS MENTIONED.
2. ALL DIMENSIONS ARE TO BE READ AND NOT MEASURED.
3. ANY DISCREPANCY MUST BE BROUGHT TO THE NOTICE OF THE DMRC BEFORE EXECUTION OF WORK AT SITE.
4. THIS DRAWING MUST BE READ IN CONJUNCTION WITH ALL RELEVANT ARCHITECTURAL, STRUCTURAL, PLUMBING & FIRE FIGHTING, ELECTRICAL AND TRAFFIC MANAGEMENT DRAWINGS.

REV.	DESCRIPTION	DATE	DRAWN BY	CHECKED BY
R0	ISSUED FIRST SUBMISSION OF TENDER DRAWINGS	27-03-2026	HARI LAL	R.K.

APPROVAL OF NMRC OFFICIALS				
NO.	NAME	DESIGNATION	DATE	REMARKS

Certified that this document has been designed and checked in accordance with DDC Quality Assurance Plan.

Architecture Design In-charge/ Coordinator: _____
Structure Design In-charge/ Coordinator: _____
E&M Design In-charge/ Coordinator: _____

DETAIL DESIGN CONSULTANT :

ayesa
Ayesa India Private Limited
D 99, 3rd Floor, Sector 2, Noida -201301, Gautam
Budh Nagar, Uttar Pradesh
Tel.: +(91) 120 490 8800, Email: delhi@ayesa.com

This drawing must not be either loaned, copied or otherwise reproduced in whole or in part or used for any purpose without the prior written permission of NMRC.

LIST OF PLUMBING DRAWINGS

S.NO.	DRAWING NO.	DRAWING TITLE	SHEET	REV.
01	NGNE-BGN-TED-PLB-10001	LIST OF PLUMBING DRAWINGS	1 OF 1	R0
02	NGNE-BGN-TED-PLB-10002	TYPICAL DETAIL & SECTION -PLUMBING LAYOUT	1 OF 1	R0
03	NGNE-BGN-TED-PLB-10003	TOILET DETAIL-PLUMBING LAYOUT	1 OF 1	R0
04	NGNE-BGN-TED-PLB-10004	SCHEMATIC DIAGRAM FOR DRAINAGE SYSTEM	1 OF 1	R0
05	NGNE-BGN-TED-PLB-10005	SCHEMATIC DIAGRAM FOR SEWAGE SYSTEM	1 OF 1	R0
06	NGNE-BGN-TED-PLB-10006	SCHEMATIC DIAGRAM FOR WATER SUPPLY SYSTEM	1 OF 1	R0
07	NGNE-BGN-TED-PLB-11001	GROUND FLOOR PLAN - DRAINAGE & WATER SUPPLY LAYOUT	1 OF 1	R0
08	NGNE-BGN-TED-PLB-12001	PUMP ROOM - PLUMBING LAYOUT	1 OF 1	R0
09	NGNE-BGN-TED-PLB-13001	CONCOURSE LEVEL PLAN -DRAINAGE LAYOUT	1 OF 1	R0
10	NGNE-BGN-TED-PLB-13002	CONCOURSE LEVEL PLAN -WATER SUPPLY LAYOUT	1 OF 1	R0
11	NGNE-BGN-TED-PLB-14001	INTERMEDIATE LEVEL PLAN -DRAINAGE LAYOUT	1 OF 1	R0
12	NGNE-BGN-TED-PLB-14002	INTERMEDIATE LEVEL PLAN -WATER SUPPLY LAYOUT	1 OF 1	R0
13	NGNE-BGN-TED-PLB-15001	PLATFORM LEVEL PLAN-DRAINAGE LAYOUT	1 OF 1	R0
14	NGNE-BGN-TED-PLB-15002	PLATFORM LEVEL PLAN-WATER SUPPLY LAYOUT	1 OF 1	R0
15	NGNE-BGN-TED-PLB-16001	ROOF LEVEL PLAN-DRAINAGE LAYOUT	1 OF 1	R0

TENDER DESIGN

NOIDA METRO RAIL CORPORATION LTD.
Block-III, 3rd Floor, Ganga Shopping Complex, Sector-29, Noida -201301,
District Gautam Budh Nagar, Uttar Pradesh, India

PROJECT: CONTRACT NO: NGNECC-01- Part Design & Construction of Elevated Viaduct and 10 nos. of Elevated Stations for Extension Projects of NMRC's Aqua Line from Botanical Garden to Noida Sec-142 (from Chainage (-) 383.959 to 12130.143) and from Depot Station to Boraki MMTH (Chainage 28678.253 to 31263.482)

STATION: BOTANICAL GARDEN

DRAWING TITLE: LIST OF PLUMBING DRAWINGS

NORTH	DRAWN BY: HL	CHECKED BY: RK	VERIFIED BY: SJ	APPROVED BY: NG
	DATE: 27-03-2026	REV: RO	SCALE: N.T.S.	STATUS: TED
ORDER N°	DRAWING NUMBER: NGNE-BGN-TED-PLB-10001	SHEET NO. 01 OF 01	SHEET SIZE A-1	

This drawing must not be either loaned, copied or otherwise reproduced in whole or in part or used for any purpose without the prior written permission of NMRC.

THIS DRAWING IS THE PROPERTY OF NOIDA METRO RAIL CORPORATION LTD.

GENERAL NOTES:
1. ALL DIMENSIONS ARE IN MILLIMETER UNLESS MENTIONED.
2. ALL DIMENSIONS ARE TO BE READ AND NOT MEASURED.
3. ANY DISCREPANCY MUST BE BROUGHT TO THE NOTICE OF THE DMRC BEFORE EXECUTION OF WORK AT SITE.
4. THIS DRAWING MUST BE READ IN CONJUNCTION WITH ALL RELEVANT ARCHITECTURAL, STRUCTURAL, PLUMBING & FIRE FIGHTING, ELECTRICAL AND TRAFFIC MANAGEMENT DRAWINGS.

REVISIONS

REV.	DESCRIPTION	DATE	DRAWN BY	CHECKED BY
R0	ISSUED FIRST SUBMISSION OF TENDER DRAWINGS	27-03-2026	HARI LAL	R.K.

APPROVAL OF NMRC OFFICIALS

--	--	--	--	--	--	--	--	--	--

Certified that this document has been designed and checked in accordance with DDC Quality Assurance Plan.

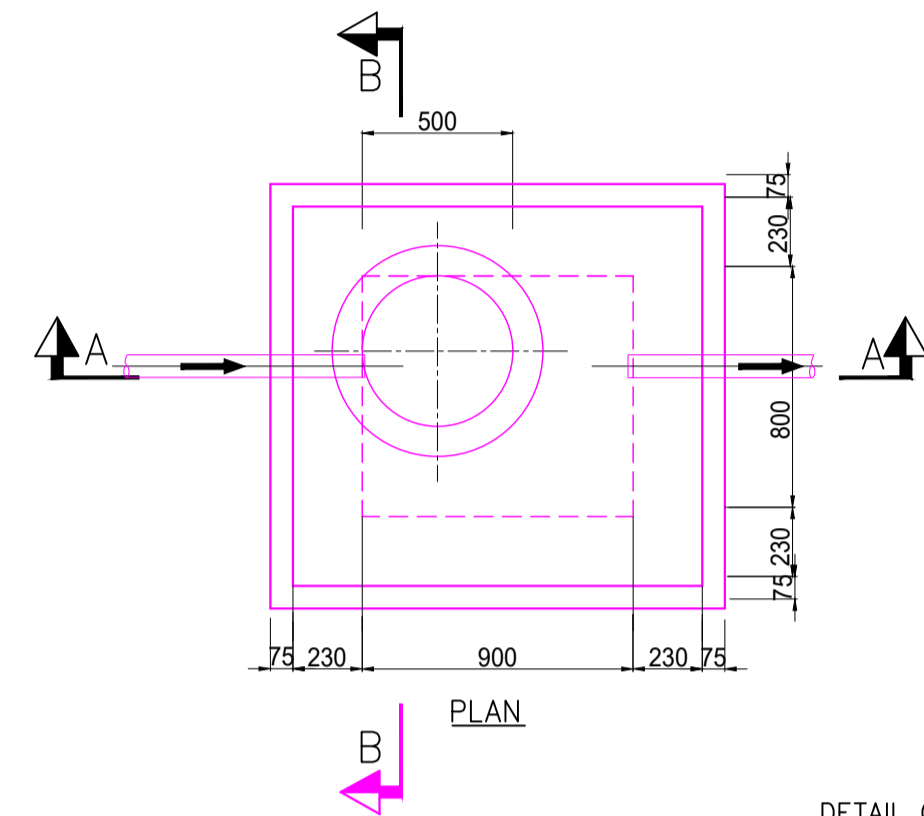
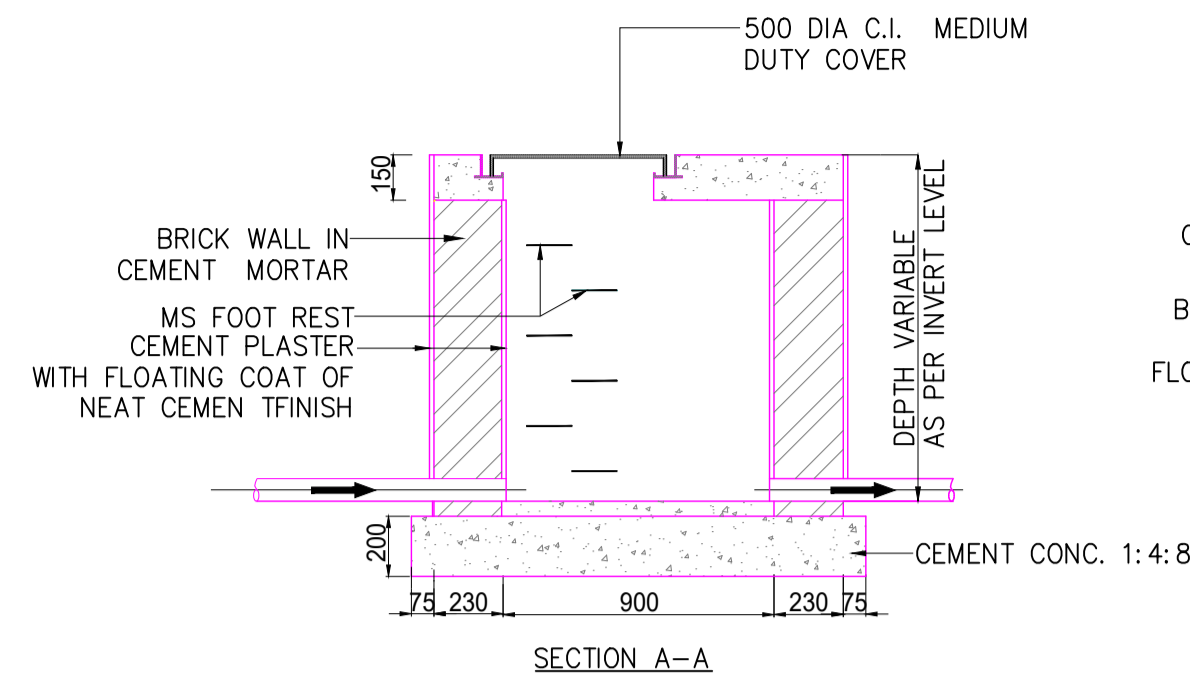
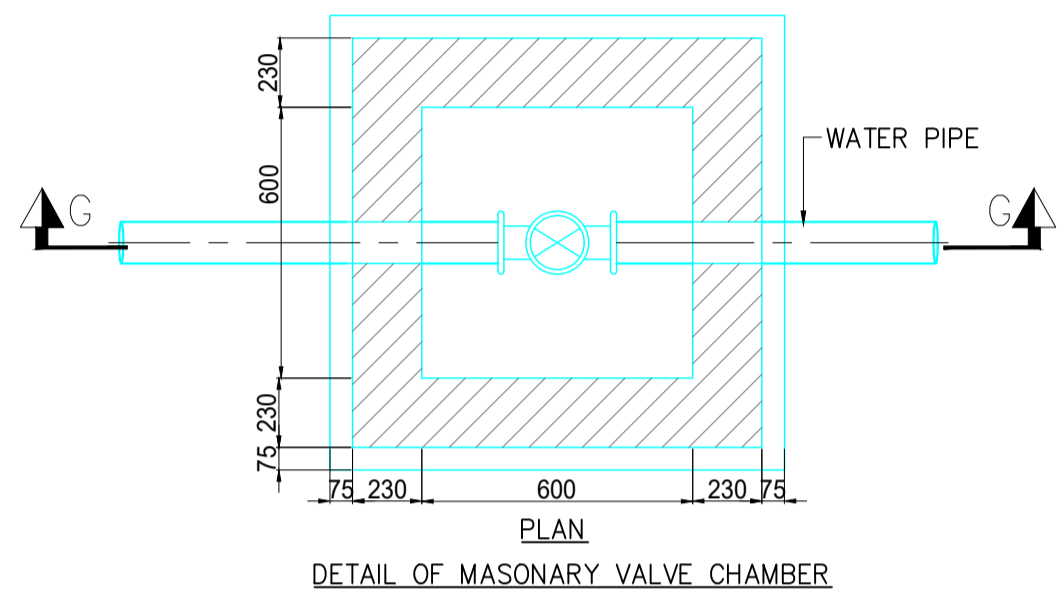
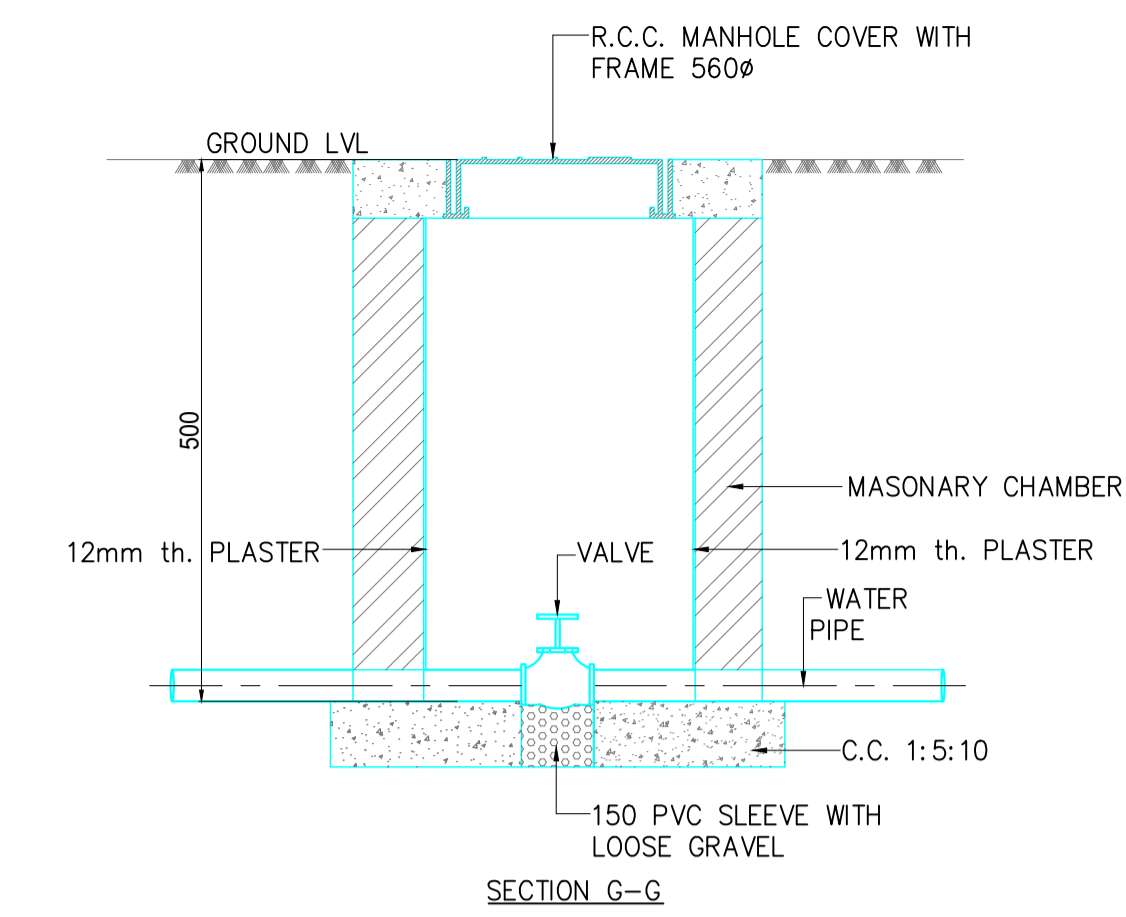
Authorised Signatory for DDC.
NGNEDDC Project Manager

Architecture Design In-charge/ Coordinator
Structure Design In-charge/ Coordinator
E&M Design In-charge/ Coordinator

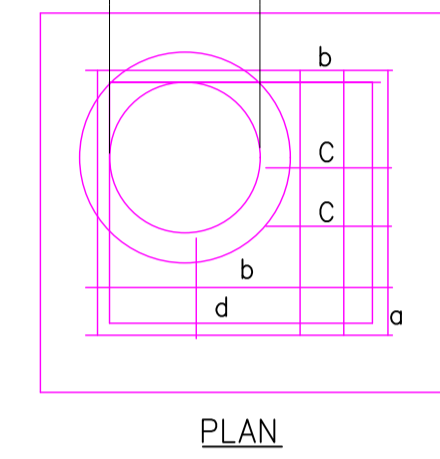
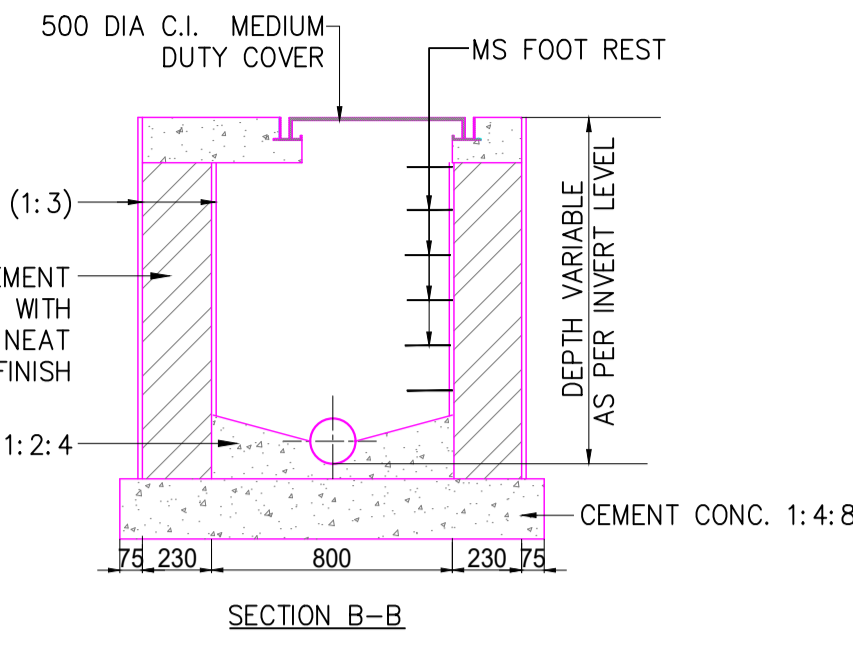
DETAIL DESIGN CONSULTANT :



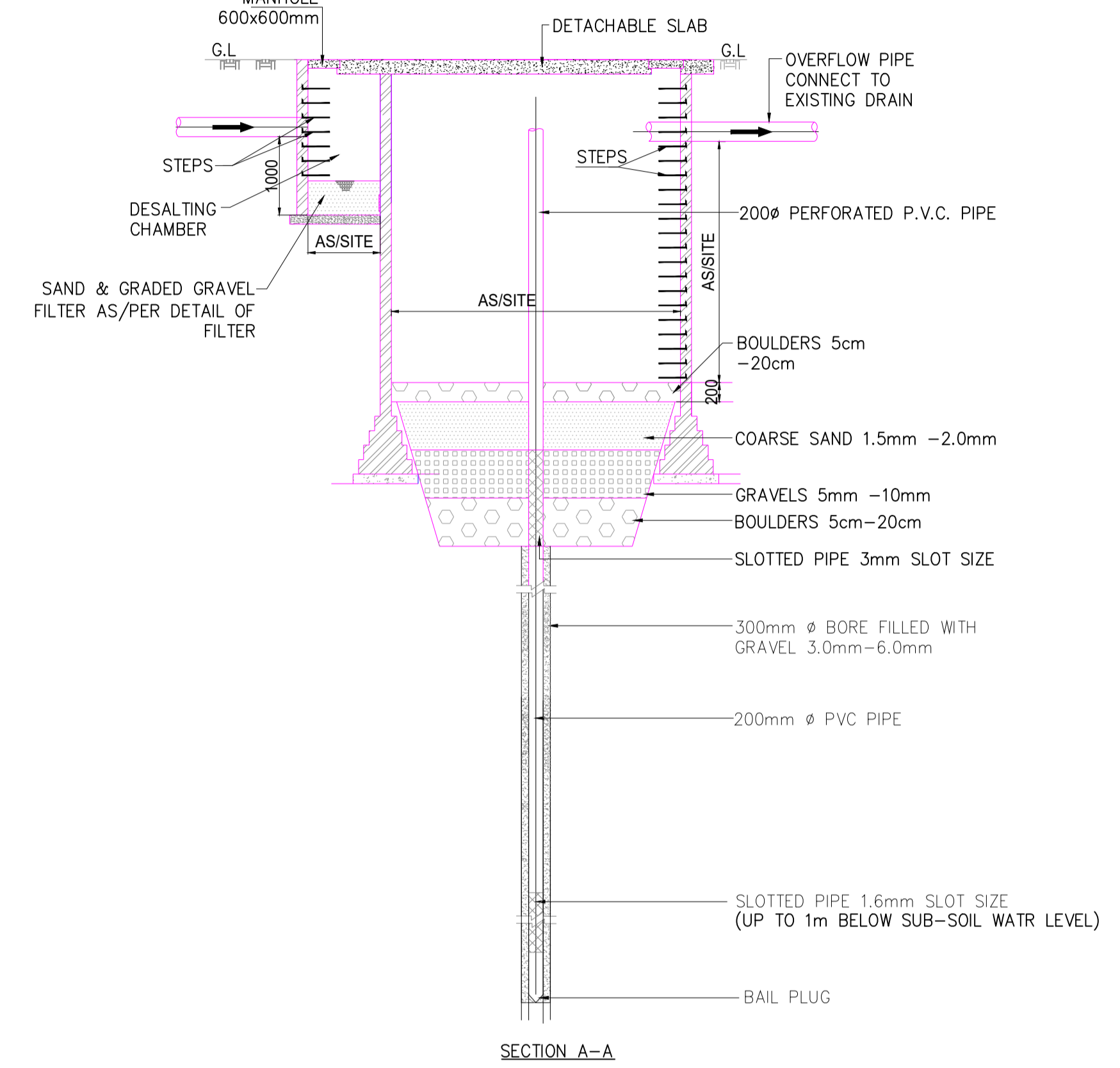
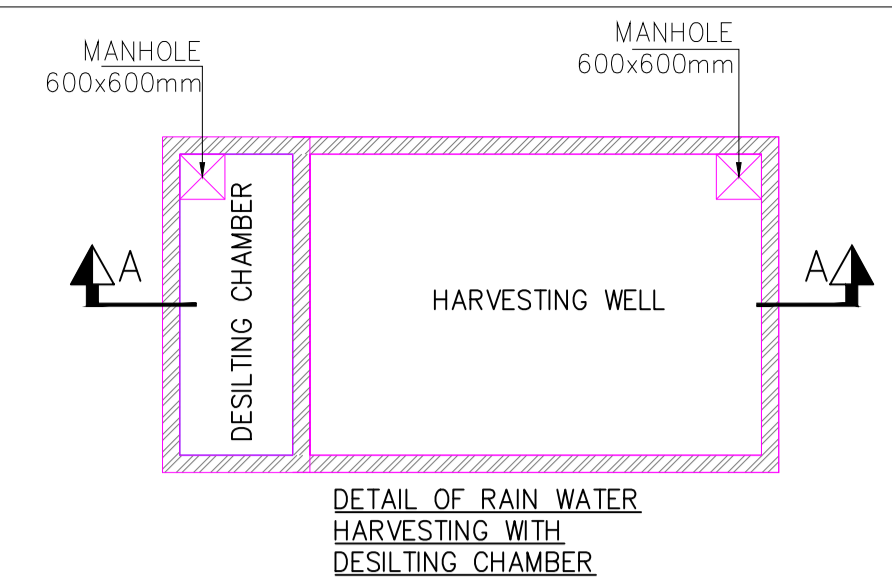
Ayesa India Private Limited
D 99, 3rd Floor, Sector 2, Noida -201301, Gautam
Budh Nagar, Uttar Pradesh
Tel.: +(91) 120 490 8800, Email: delhi@ayesa.com



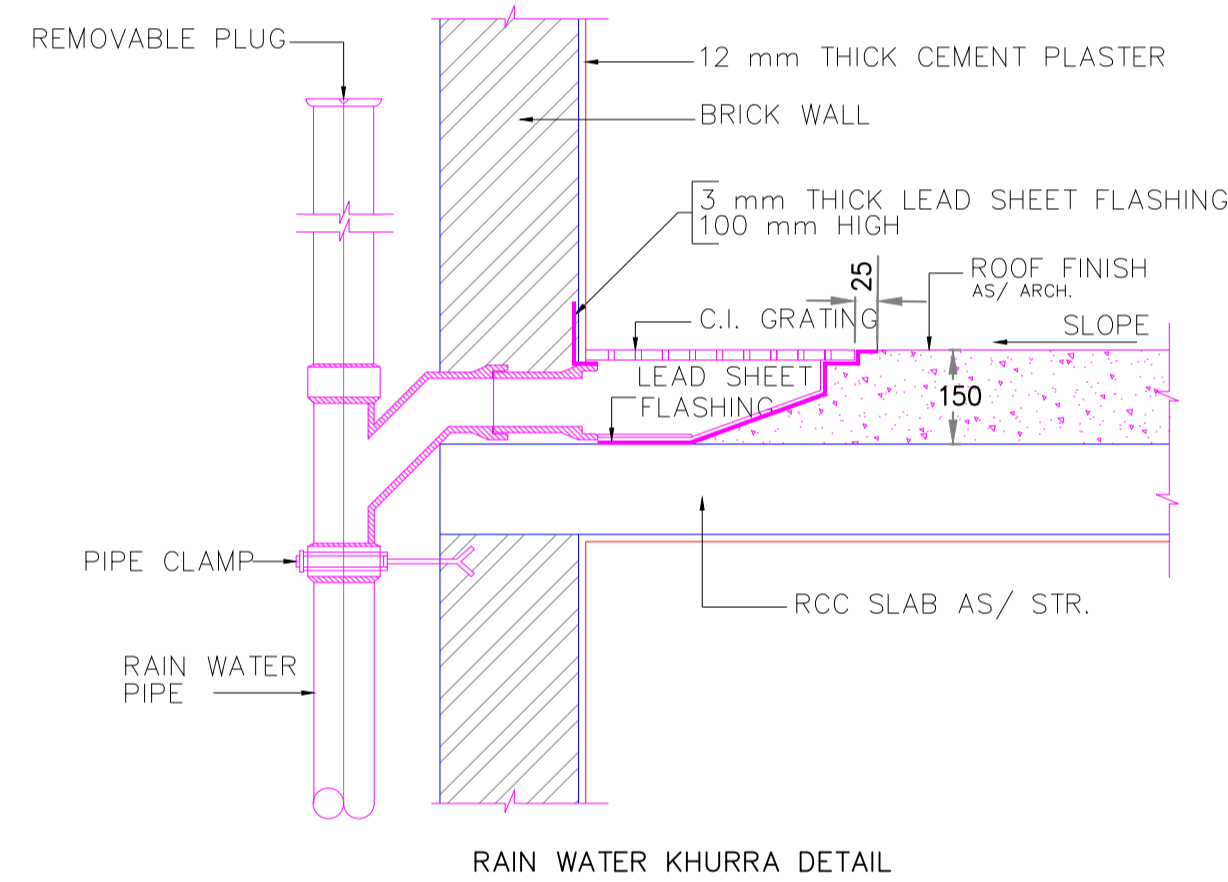
DETAIL OF RECTANGULAR MANHOLE 900 X 800MM



PLAN

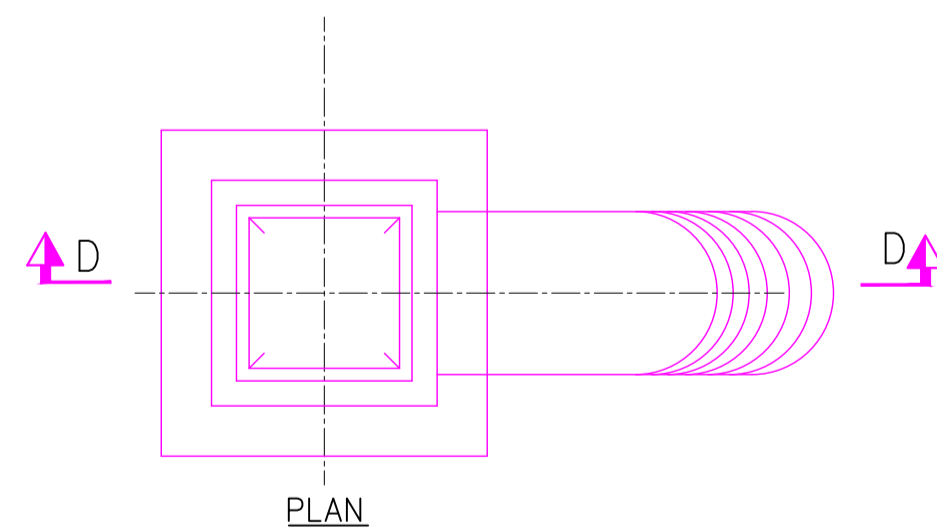
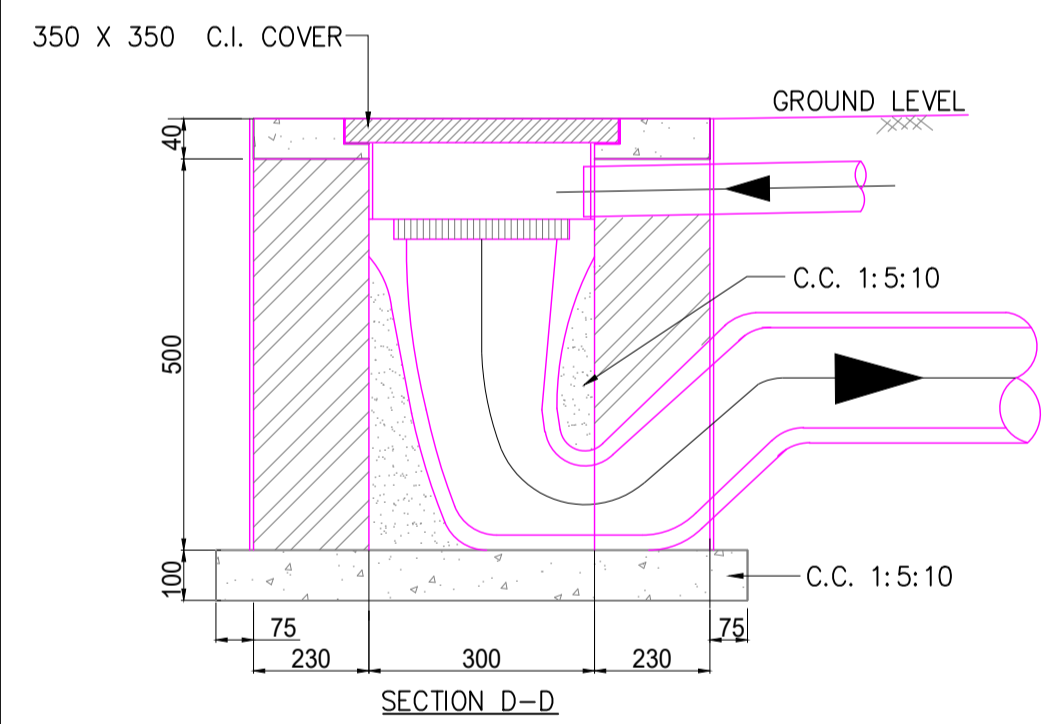


SECTION A-A

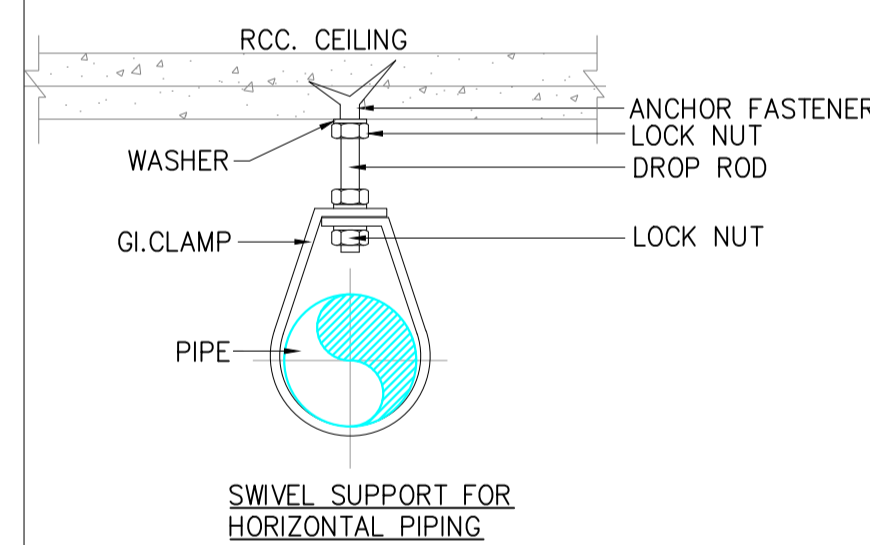


NOTES

1. ALL DIMENSIONS ARE IN MM. UNLESS OTHERWISE SPECIFIED
2. PROPER CEMENT CONCRETE CHANNEL AND TRENCHING ARE TO BE PROVIDED RELEVANT SMOOTH WITH FLOATING COAT OF NEAT CEMENT FINISH.
3. TOP OF MANHOLES, CATCH BASINS ARE TO BE PLACED IN CONJUNCTION WITH ADJACENT FINISHED LEVEL AS APPLICABLE.

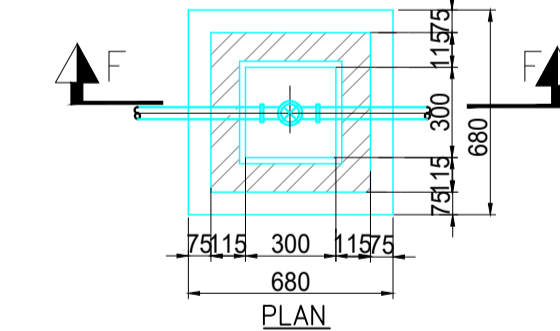
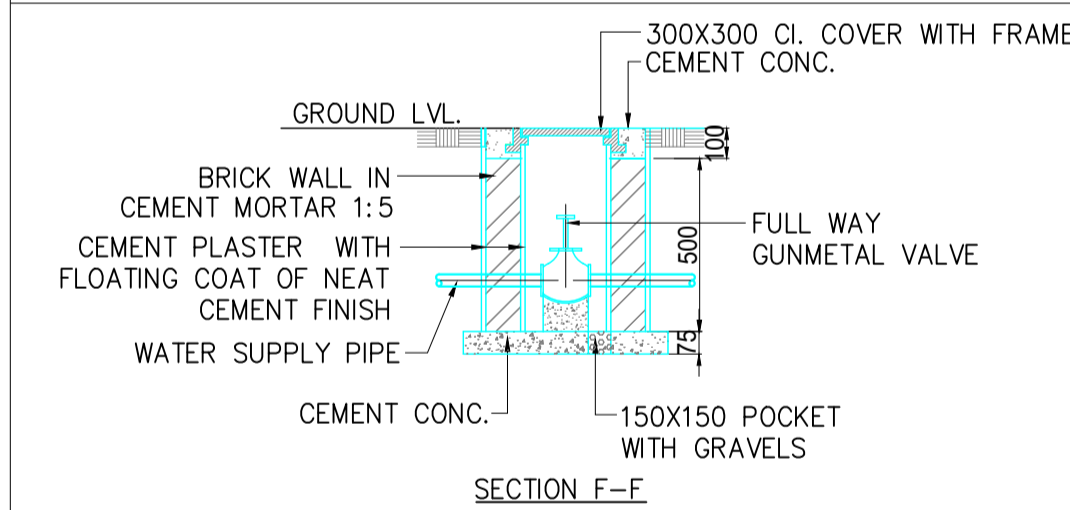
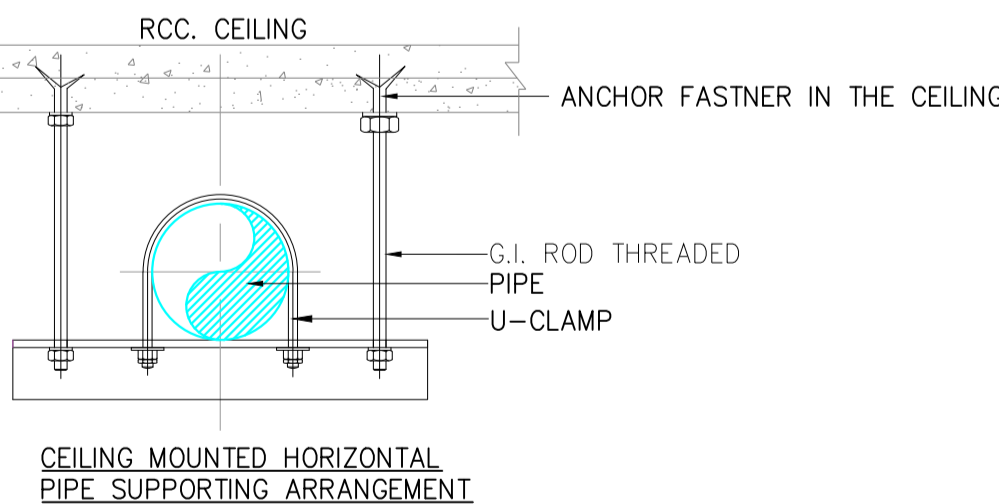
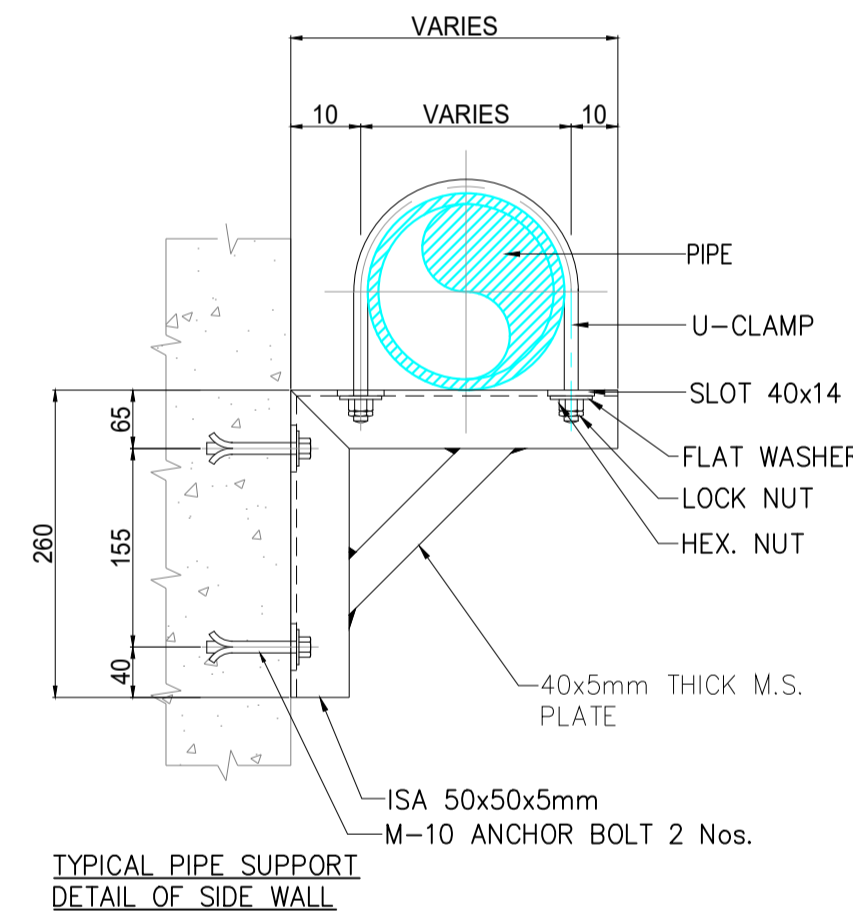


DETAIL OF GULLY TRAP 300 X 300MM



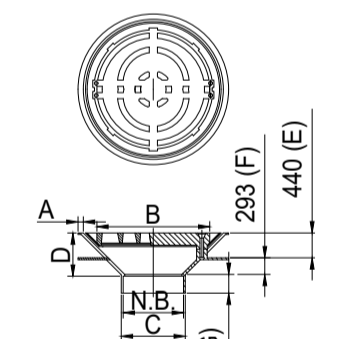
SPACING FOR PIPE SUPPORT ARE AS FOLLOW:-

PIPE SIZE (DN)	SUPPORT DISTANCE	
	HORIZONTAL (m)	VERTICAL (m)
15	1.8	2.4
20-32	2.4	3.0
40-50	2.4	3.7
65-100	3.0	4.6



TYPICAL DETAIL OF FULL WAY VALVE CHAMBER (UP TO 50MM DIA PIPE)

NEER THRUFLU FLAT GRATE DIMENSIONAL DATA



N.B	A	B	C	D	E	F	G
80	200	150	85	80	33	22	25

TYPICAL DETAIL OF FLOOR DRAIN

GENERAL NOTES

1. ALL DIMENSIONS ARE IN MILLIMETER UNLESS MENTIONED.
2. ALL DIMENSIONS ARE TO BE READ AND NOT MEASURED.
3. ANY DISCREPANCY MUST BE BROUGHT TO THE NOTICE OF THE DMRC BEFORE EXECUTION OF WORK AT SITE.
4. THIS DRAWING MUST BE READ IN CONJUNCTION WITH ALL RELEVANT ARCHITECTURAL, STRUCTURAL, PLUMBING & FIRE FIGHTING, ELECTRICAL AND TRAFFIC MANAGEMENT DRAWINGS.

REVISION	DESCRIPTION	DRAWING NO.

REV.	DESCRIPTION	DATE	DRAWN BY	CHECKED BY
R0	ISSUED FIRST SUBMISSION OF TENDER DRAWINGS	27-03-2026	HARI LAL	R.P.

APPROVAL OF NMRC OFFICIALS

NAME	DESIGNATION	DATE

Certified that this document has been designed and checked in accordance with DDC Quality Assurance Plan.

Architecture Design In-charge/ Coordinator
Structure Design In-charge/ Coordinator
E&M Design In-charge/ Coordinator

DETAIL DESIGN CONSULTANT :

Authorised Signatory for DDC.
NGNEDDC Project Manager

ayesa
Ayesa India Private Limited
D 99, 3rd Floor, Sector 2, Noida -201301, Gautam
Budh Nagar, Uttar Pradesh
Tel.: +(91) 120 490 8800, Email: delhi@ayesa.com

TENDER DESIGN

NOIDA METRO RAIL CORPORATION LTD.
Block-III, 3rd Floor, Ganga Shopping Complex, Sector-29, Noida -201301, District Gautam Budh Nagar, Uttar Pradesh, India

PROJECT: CONTRACT NO: NGNECC-01- Part Design & Construction of Elevated Viaduct and 10 nos. of Elevated Stations for Extension Projects of NMR's Aqua Line from Botanical Garden to Noida Sec-142 (from Chainage (-) 383.959 to 12130.143) and from Depot Station to Boraki MMTH (Chainage 28678.253 to 31263.482)

STATION: BOTANICAL GARDEN

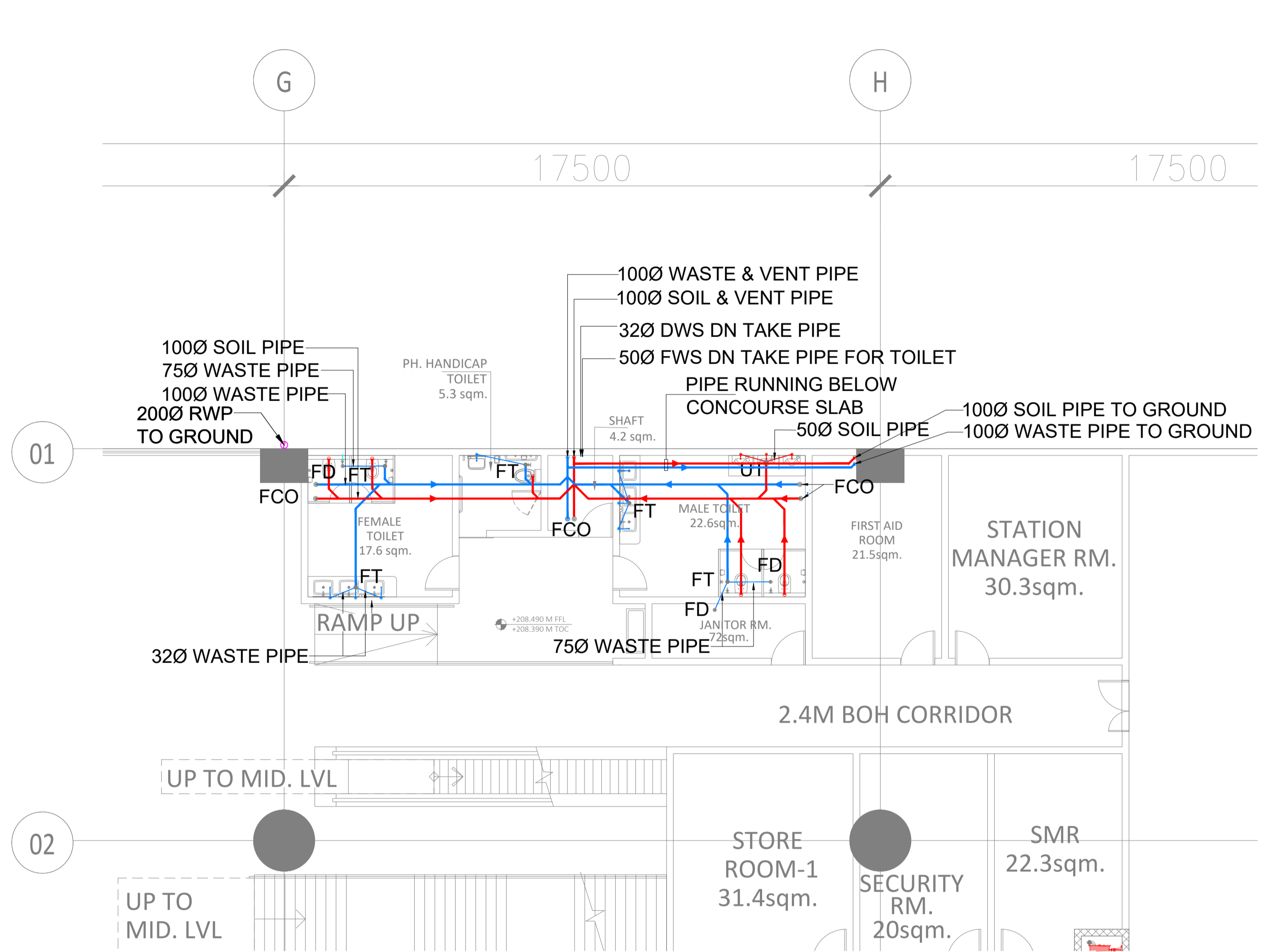
DRAWING TITLE: TYPICAL DETAIL & SECTION - PLUMBING LAYOUT

NORTH	DRAWN BY: HL	CHECKED BY: RK	VERIFIED BY: SJ	APPROVED BY: NG
	DATE: 27-03-2026	REV: R0	SCALE: N.T.S.	STATUS: TED

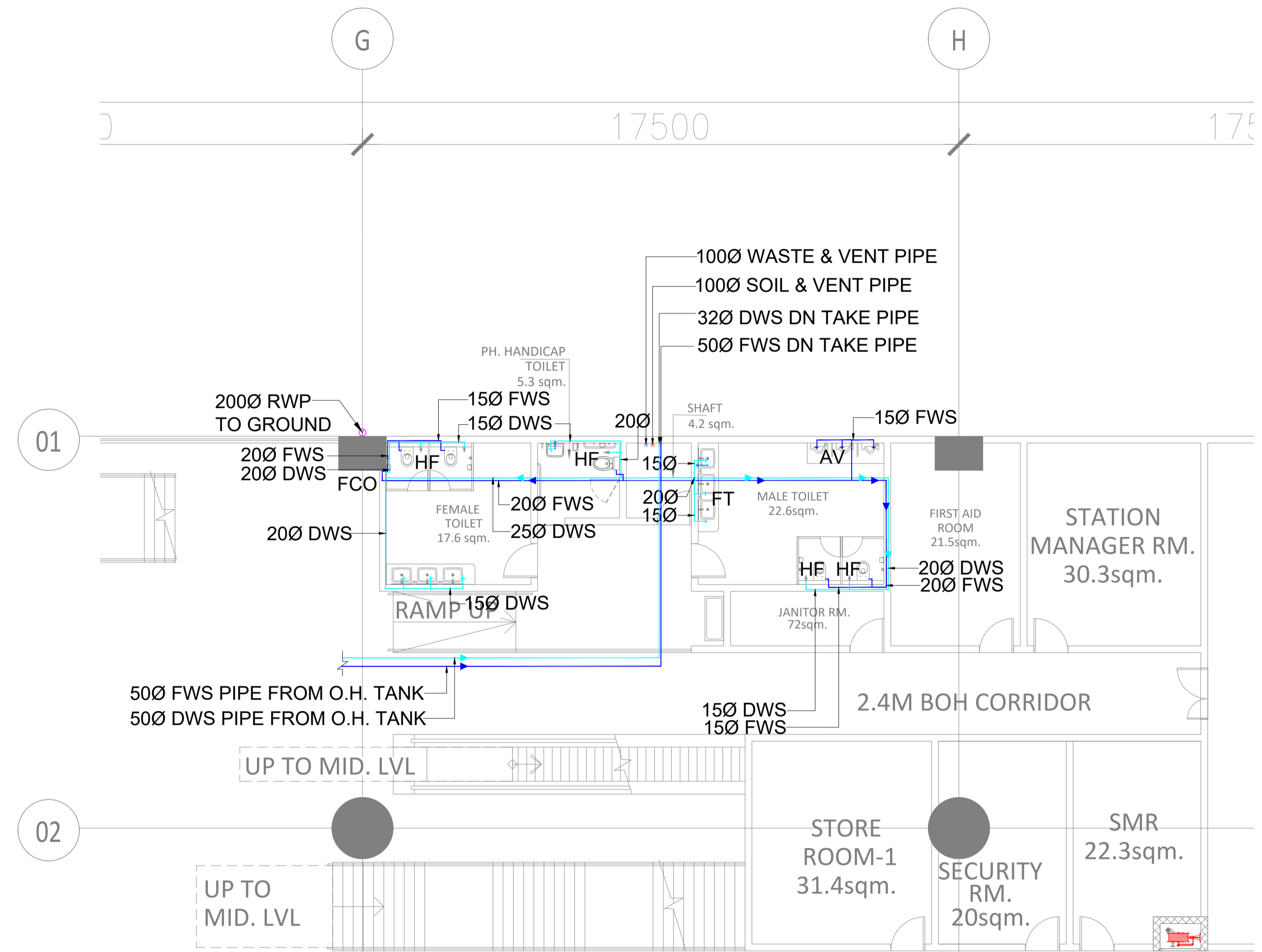
ORDER N°	DRAWING NUMBER: NGNE-BGN-TED-PLB-10002	SHEET NO. 01 OF 01	SHEET SIZE A-1

NGNEDDC
PLUMBING

This drawing must not be either loaned, copied or otherwise reproduced in whole or in part or used for any purpose without the prior written permission of NMRC.



DRAINAGE LAYOUT



WATER SUPPLY LAYOUT

LEGEND:-

1	WASTE PIPE	
2	SOIL PIPE	
3	FLOOR TRAP	
4	FLOOR DRAIN	
5	URINAL TRAP	
6	FLOOR CLEAN OUT	
7	DOMESTIC WATER SUPPLY PIPE	
8	FLUSHING WATER SUPPLY PIPE	
9	DOMESTIC WATER SUPPLY	DWS
10	FLUSHING WATER SUPPLY	FWS
11	ANGLE VALVE	AV
12	HOSE BIB	HB
13	HEALTH FAUCET	HF
14	BALL VALVE	

TENDER DESIGN

NOIDA METRO RAIL CORPORATION LTD.
Block-III, 3rd Floor, Ganga Shopping Complex, Sector-29, Noida -201301,
District Gautam Budh Nagar, Uttar Pradesh, India

PROJECT: CONTRACT NO: NGNECC-01- Part Design & Construction of Elevated Viaduct and 10 nos. of Elevated Stations for Extension Projects of NMRC's Aqua Line from Botanical Garden to Noida Sec-142 (from Chainage (-) 383.959 to 12130.143) and from Depot Station to Boraki MMTH (Chainage 28678.253 to 31263.482)

STATION: BOTANICAL GARDEN
DRAWING TITLE: TOILET DETAIL -PLUMBING LAYOUT

NORTH	DRAWN BY: HL	CHECKED BY: RK	VERIFIED BY: SJ	APPROVED BY: NG
	DATE: 27-03-2026	REV: R0	SCALE: 1:100	STATUS: TED
ORDER N°	DRAWING NUMBER: NGNE-BGN-TED-PLB-10003	SHEET NO: 01 OF 01	SHEET SIZE: A-1	NGNEDDC PLUMBING

This drawing must not be either loaned, copied or otherwise reproduced in whole or in part or used for any purpose without the prior written permission of NMRC.

GENERAL NOTES:

- ALL DIMENSIONS ARE IN MILLIMETER UNLESS MENTIONED.
- ALL DIMENSIONS ARE TO BE READ AND NOT MEASURED.
- ANY DISCREPANCY MUST BE BROUGHT TO THE NOTICE OF THE DMRC BEFORE EXECUTION OF WORK AT SITE.
- THIS DRAWING MUST BE READ IN CONJUNCTION WITH ALL RELEVANT ARCHITECTURAL, STRUCTURAL, PLUMBING & FIRE FIGHTING, ELECTRICAL AND TRAFFIC MANAGEMENT DRAWINGS.

REVISION	DESCRIPTION	DRAWING NO.

REVISIONS				
REV.	DESCRIPTION	DATE	DRAWN BY	CHECKED BY
R0	ISSUED FIRST SUBMISSION OF TENDER DRAWINGS	27-03-2026	HARI LAL	R.P.

APPROVAL OF NMRC OFFICIALS				

Certified that this document has been designed and checked in accordance with DDC Quality Assurance Plan.

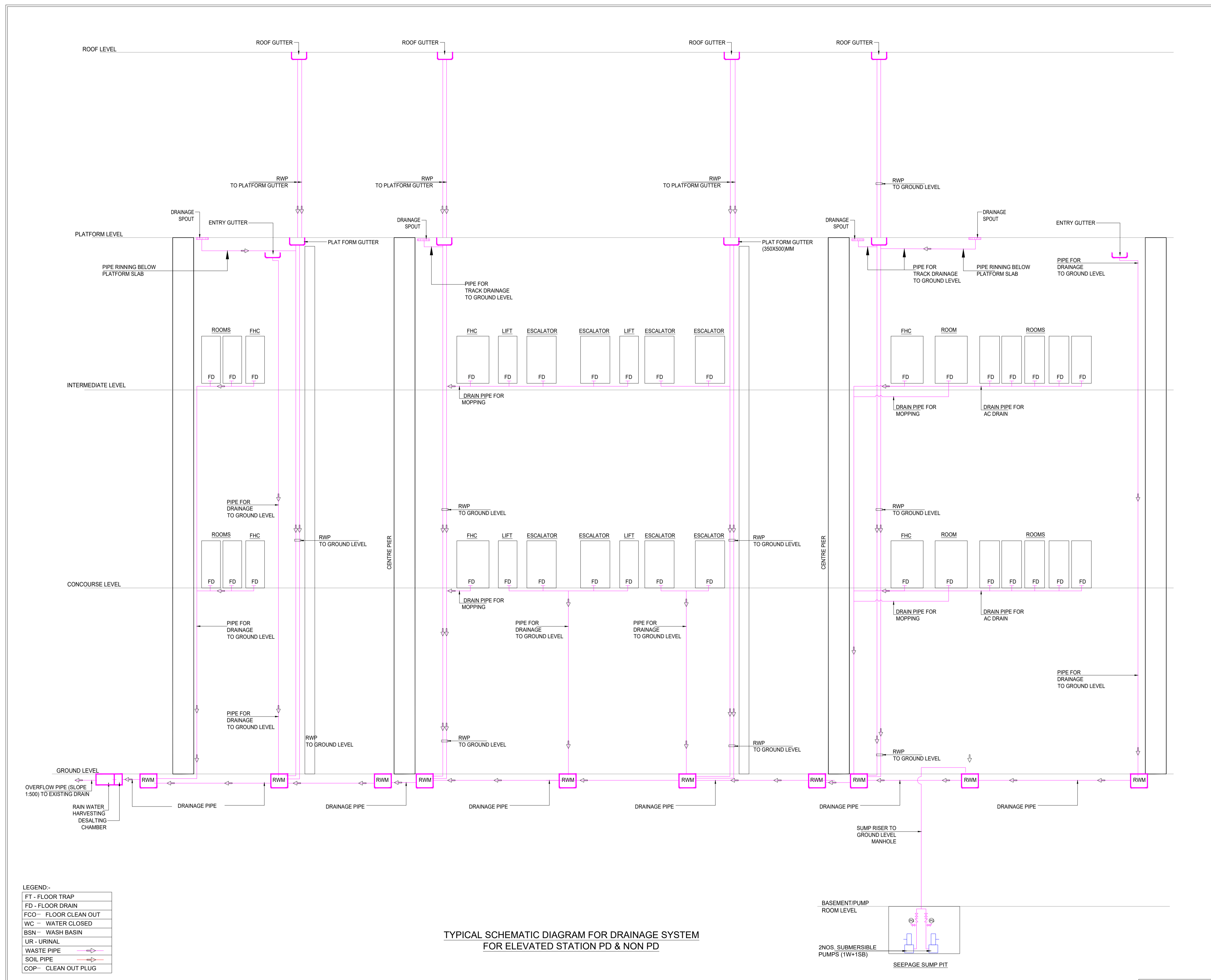
Authorised Signatory for DDC.
NGNEDDC Project Manager

Architecture Design In-charge/ Coordinator	Structure Design In-charge/ Coordinator	E&M Design In-charge/ Coordinator
---	--	--------------------------------------

DETAIL DESIGN CONSULTANT :

ayesa

Ayesa India Private Limited
D 99, 3rd Floor, Sector 2, Noida -201301, Gautam
Budh Nagar, Uttar Pradesh
Tel.: +(91) 120 490 8800, Email: delhi@ayesa.com



TYPICAL SCHEMATIC DIAGRAM FOR DRAINAGE SYSTEM FOR ELEVATED STATION PD & NON PD

LEGEND-

FT - FLOOR TRAP
FD - FLOOR DRAIN
FCO - FLOOR CLEAN OUT
WC - WATER CLOSED
BSN - WASH BASIN
UR - URINAL
WASTE PIPE
SOIL PIPE
COP - CLEAN OUT PLUG

TENDER DESIGN

NOIDA METRO RAIL CORPORATION LTD.
Block-III, 3rd Floor, Ganga Shopping Complex, Sector-29, Noida -201301, District Gautam Budh Nagar, Uttar Pradesh, India

PROJECT: CONTRACT NO: NGNECC-01- Part Design & Construction of Elevated Viaduct and 10 nos. of Elevated Stations for Extension Projects of NMR's Aqua Line from Botanical Garden to Noida Sec-142 (from Chainage (-) 383.959 to 12130.143) and from Depot Station to Boraki MMTH (Chainage 28678.253 to 31263.482)

STATION: BOTANICAL GARDEN

DRAWING TITLE: SCHEMATIC DIAGRAM FOR DRAINAGE SYSTEM

NORTH	DRAWN BY: HL	CHECKED BY: RK	VERIFIED BY: SJ	APPROVED BY: NG
	DATE: 27-03-2026	REV: R0	SCALE: N.T.S.	STATUS: TED
ORDER N°	DRAWING NUMBER: NGNE-BGN-TED-PLB-10004	SHEET NO: 01 OF 01	SHEET SIZE: A-1	

NGNEDDC PLUMBING

Certified that this document has been designed and checked in accordance with DDC Quality Assurance Plan.

Authorised Signatory for DDC, NGNEDDC Project Manager

Architecture Design In-charge/ Coordinator Structure Design In-charge/ Coordinator E&M Design In-charge/ Coordinator

ayesa

Ayesa India Private Limited
D 99, 3rd Floor, Sector 2, Noida -201301, Gautam Budh Nagar, Uttar Pradesh
Tel.: +(91) 120 490 8800, Email: delhi@ayesa.com

GENERAL NOTES				REVISIONS				APPROVAL OF NMRC OFFICIALS																													
1. ALL DIMENSIONS ARE IN MILLIMETER UNLESS MENTIONED. 2. ALL DIMENSIONS ARE TO BE READ AND NOT MEASURED. 3. ANY DISCREPANCY MUST BE BROUGHT TO THE NOTICE OF THE DMRC BEFORE EXECUTION OF WORK AT SITE. 4. THIS DRAWING MUST BE READ IN CONJUNCTION WITH ALL RELEVANT ARCHITECTURAL, STRUCTURAL, PLUMBING & FIRE FIGHTING, ELECTRICAL AND TRAFFIC MANAGEMENT DRAWINGS.				<table border="1"> <thead> <tr> <th>REV.</th> <th>DESCRIPTION</th> <th>DATE</th> <th>DRAWN BY</th> <th>CHECKED BY</th> </tr> </thead> <tbody> <tr> <td>R0</td> <td>ISSUED FIRST SUBMISSION OF TENDER DRAWINGS</td> <td>27-03-2026</td> <td>HARI LAL</td> <td>R.P.</td> </tr> </tbody> </table>				REV.	DESCRIPTION	DATE	DRAWN BY	CHECKED BY	R0	ISSUED FIRST SUBMISSION OF TENDER DRAWINGS	27-03-2026	HARI LAL	R.P.	<table border="1"> <thead> <tr> <th>NO.</th> <th>NAME</th> <th>DESIGNATION</th> <th>DATE</th> </tr> </thead> <tbody> <tr> <td> </td> <td> </td> <td> </td> <td> </td> </tr> <tr> <td> </td> <td> </td> <td> </td> <td> </td> </tr> <tr> <td> </td> <td> </td> <td> </td> <td> </td> </tr> </tbody> </table>				NO.	NAME	DESIGNATION	DATE												
REV.	DESCRIPTION	DATE	DRAWN BY	CHECKED BY																																	
R0	ISSUED FIRST SUBMISSION OF TENDER DRAWINGS	27-03-2026	HARI LAL	R.P.																																	
NO.	NAME	DESIGNATION	DATE																																		
REFERENCE DRAWINGS				DETAIL DESIGN CONSULTANT :																																	
REVISION	DESCRIPTION	DRAWING NO.	<p>ayesa</p> <p>Ayesa India Private Limited D 99, 3rd Floor, Sector 2, Noida -201301, Gautam Budh Nagar, Uttar Pradesh Tel.: +(91) 120 490 8800, Email: delhi@ayesa.com</p>				<p>2 NOS. SUBMERSIBLE PUMPS (1W+1SB)</p> <p>SEEPAGE SUMP PIT</p>																														

THIS DRAWING IS THE PROPERTY OF NDMR METRO RAIL CORPORATION LTD.

This drawing must not be either loaned, copied or otherwise reproduced in whole or in part or used for any purpose without the prior written permission of NMRC.

€ OF STATION

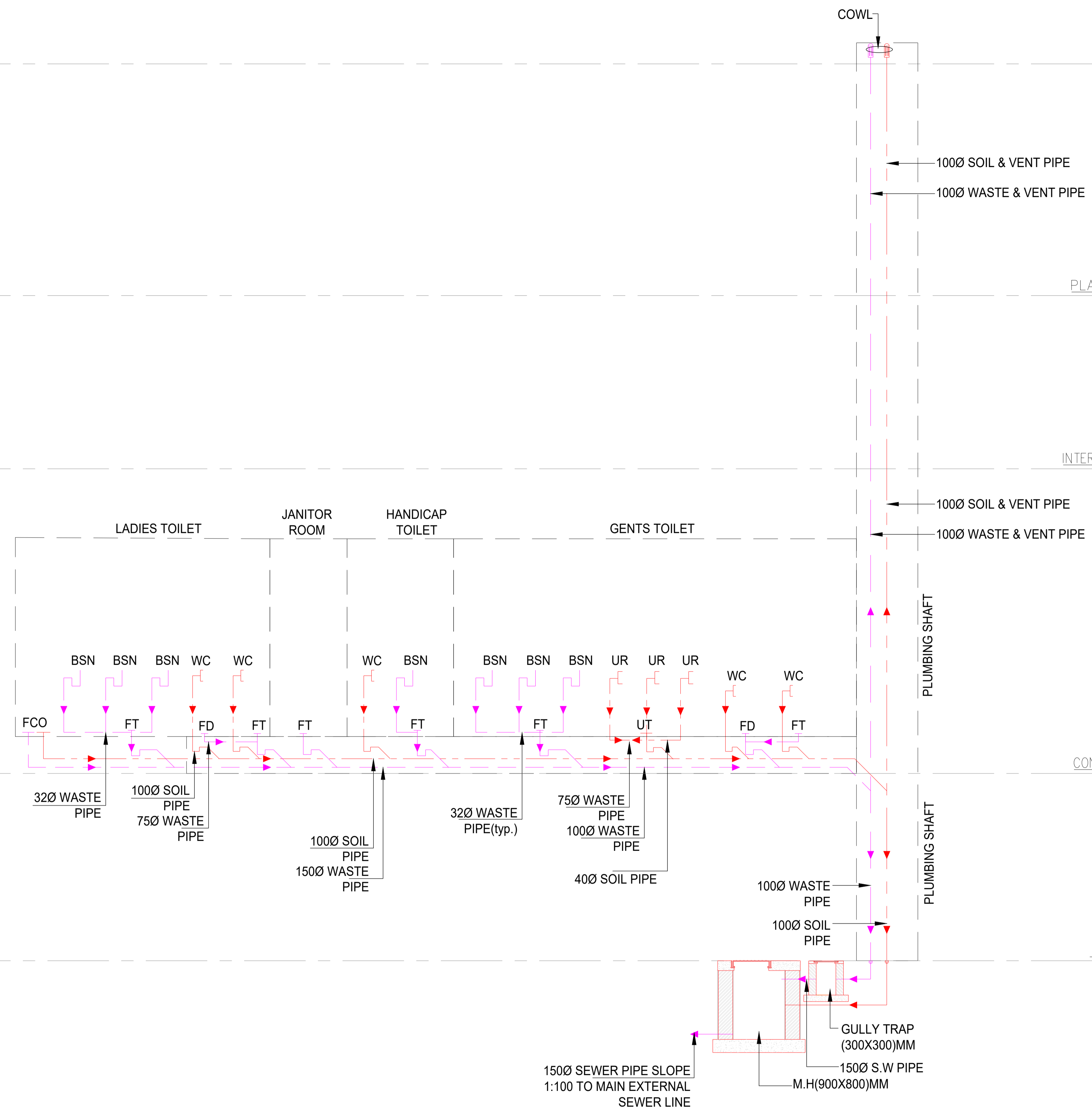
ROOF LEVEL

PLATFORM LEVEL

INTERMEDIATE LEVEL

CONCOURSE LEVEL

GROUND LEVEL



LEGEND:-

FT - FLOOR TRAP	
FD - FLOOR DRAIN	
FCO - FLOOR CLEAN OUT	
WC - WATER CLOSED	
BSN - WASH BASIN	
UR - URINAL	
WASTE PIPE	
SOIL PIPE	

SCHEMATIC DIAGRAM FOR SEWAGE SYSTEM

TENDER DESIGN

<p>NOIDA METRO RAIL CORPORATION LTD. Block-III, 3rd Floor, Ganga Shopping Complex, Sector-29, Noida -201301, District Gautam Budh Nagar, Uttar Pradesh, India</p>	
<p>PROJECT: CONTRACT NO: NGNECC-01- Part Design & Construction of Elevated Viaduct and 10 nos. of Elevated Stations for Extension Projects of NMRC's Aqua Line from Botanical Garden to Noida Sec-142 (from Chainage (-) 383.959 to 12130.143) and from Depot Station to Boraki MMTH (Chainage 28678.253 to 31263.482)</p>	
<p>STATION: BOTANICAL GARDEN</p>	
<p>DRAWING TITLE: SCHEMATIC DIAGRAM FOR SEWAGE SYSTEM</p>	
<p>NORTH</p>	<p>DRAWN BY: HL DATE: 27-03-2026</p>
<p>CHECKED BY: RK</p>	<p>VERIFIED BY: SJ N.T.S.</p>
<p>APPROVED BY: NG</p>	<p>STATUS: TED</p>
<p>ORDER N°</p>	<p>DRAWING NUMBER: NGNE-BGN-TED-PLB-10005</p>
<p>SHEET NO. 01 OF 01</p>	<p>SHEET SIZE A-1</p>

Certified that this document has been designed and checked in accordance with DDC Quality Assurance Plan.

Authorised Signatory for DDC, NGNEDDC Project Manager

Architecture Design In-charge/ Coordinator Structure Design In-charge/ Coordinator E&M Design In-charge/ Coordinator



Ayesa India Private Limited
D 99, 3rd Floor, Sector 2, Noida -201301, Gautam Budh Nagar, Uttar Pradesh
Tel.: +(91) 120 490 8800, Email: delhi@ayesa.com

GENERAL NOTES	
1. ALL DIMENSIONS ARE IN MILLIMETER UNLESS MENTIONED.	
2. ALL DIMENSIONS ARE TO BE READ AND NOT MEASURED.	
3. ANY DISCREPANCY MUST BE BROUGHT TO THE NOTICE OF THE DMRC BEFORE EXECUTION OF WORK AT SITE.	
4. THIS DRAWING MUST BE READ IN CONJUNCTION WITH ALL RELEVANT ARCHITECTURAL, STRUCTURAL, PLUMBING & FIRE FIGHTING, ELECTRICAL AND TRAFFIC MANAGEMENT DRAWINGS.	

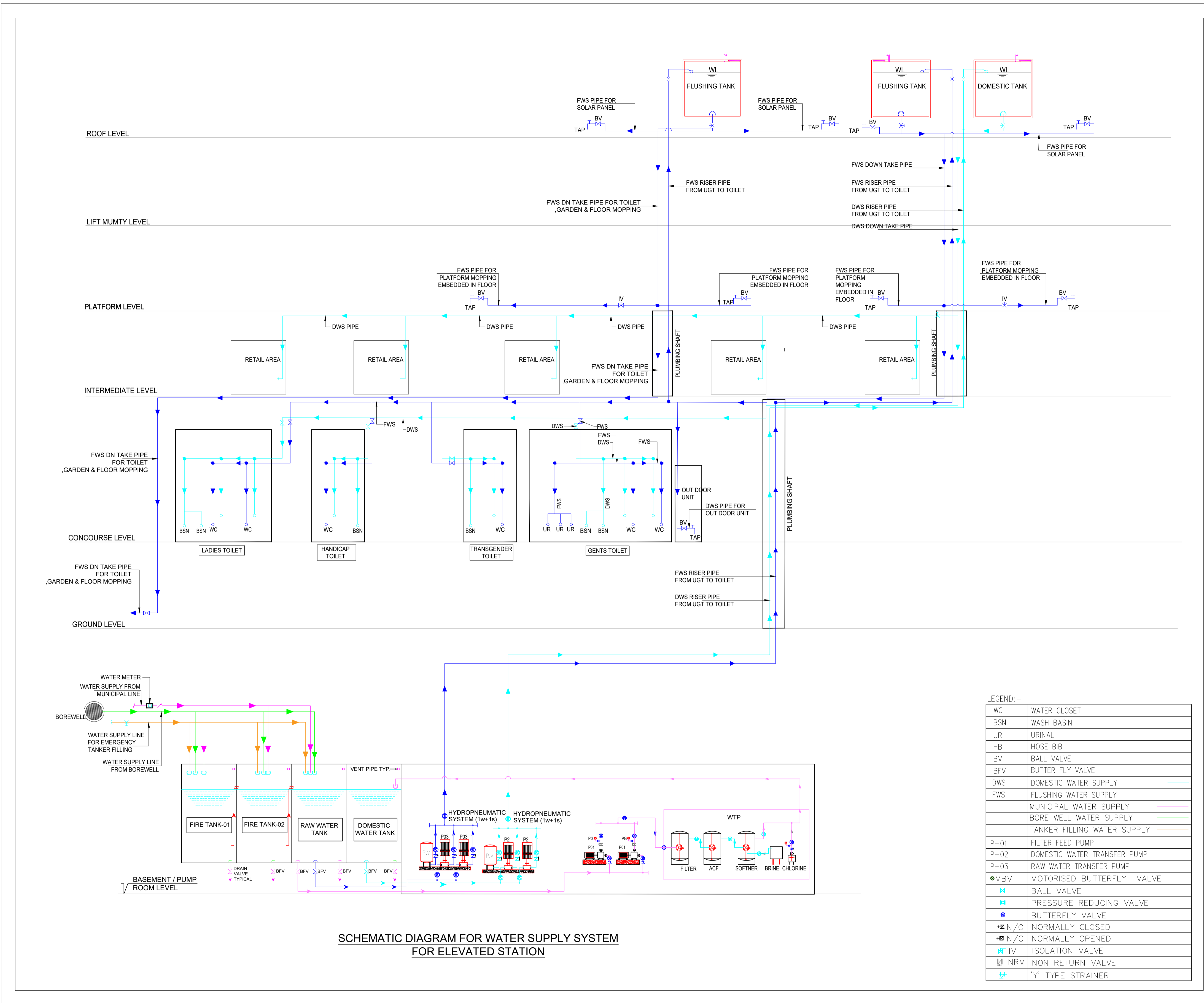
REVISION	DESCRIPTION	DRAWING NO.

REVISIONS					APPROVAL OF NMRC OFFICIALS				
REV.	DESCRIPTION	DATE	DRAWN BY	CHECKED BY					
R0	ISSUED FIRST SUBMISSION OF TENDER DRAWINGS	27-03-2026	HARI LAL	R.P.					

THIS DRAWING IS THE PROPERTY OF NOIDA METRO RAIL CORPORATION LTD.

NGNEDDC PLUMBING

This drawing must not be either loaned, copied or otherwise reproduced in whole or in part or used for any purpose without the prior written permission of NMRC.



SCHEMATIC DIAGRAM FOR WATER SUPPLY SYSTEM FOR ELEVATED STATION

TENDER DESIGN

NOIDA METRO RAIL CORPORATION LTD.
 Block-III, 3rd Floor, Ganga Shopping Complex, Sector-29, Noida -201301, District Gautam Budh Nagar, Uttar Pradesh, India

PROJECT: CONTRACT NO: NGNECC-01- Part Design & Construction of Elevated Viaduct and 10 nos. of Elevated Stations for Extension Projects of NMR's Aqua Line from Botanical Garden to Noida Sec-142 (from Chainage (-) 383.959 to 12130.143) and from Depot Station to Boraki MMTH (Chainage 28678.253 to 31263.482)

STATION: BOTANICAL GARDEN

DRAWING TITLE: SCHEMATIC DIAGRAM FOR WATER SUPPLY SYSTEM

NORTH	DRAWN BY: HL	CHECKED BY: RK	VERIFIED BY: SJ	APPROVED BY: NG
	DATE: 27-03-2026	REV: R0	SCALE: N.T.S.	STATUS: TED
ORDER N°	DRAWING NUMBER: NGNE-BGN-TED-PLB-10006		SHEET NO. 01 OF 01	SHEET SIZE A-1

NGNECC NGNECC PLUMBING

This drawing must not be either loaned, copied or otherwise reproduced in whole or in part or used for any purpose without the prior written permission of NMR.

GENERAL NOTES:

- ALL DIMENSIONS ARE IN MILLIMETER UNLESS MENTIONED.
- ALL DIMENSIONS ARE TO BE READ AND NOT MEASURED.
- ANY DISCREPANCY MUST BE BROUGHT TO THE NOTICE OF THE DMRC BEFORE EXECUTION OF WORK AT SITE.
- THIS DRAWING MUST BE READ IN CONJUNCTION WITH ALL RELEVANT ARCHITECTURAL, STRUCTURAL, PLUMBING & FIRE FIGHTING, ELECTRICAL AND TRAFFIC MANAGEMENT DRAWINGS.

REVISION	DESCRIPTION	DRAWING NO.
R0	ISSUED FIRST SUBMISSION OF TENDER DRAWINGS	

REV.	DESCRIPTION	DATE	DRAWN BY	CHECKED BY
R0	ISSUED FIRST SUBMISSION OF TENDER DRAWINGS	27-03-2026	HARI LAL	R.P.

APPROVAL OF NMR OFFICIALS

--	--	--	--	--

Certified that this document has been designed and checked in accordance with DDC Quality Assurance Plan.

Authorised Signatory for DDC: NGNECC Project Manager

Architecture Design In-charge/ Coordinator	Structure Design In-charge/ Coordinator	E&M Design In-charge/ Coordinator
--	---	-----------------------------------

DETAIL DESIGN CONSULTANT :

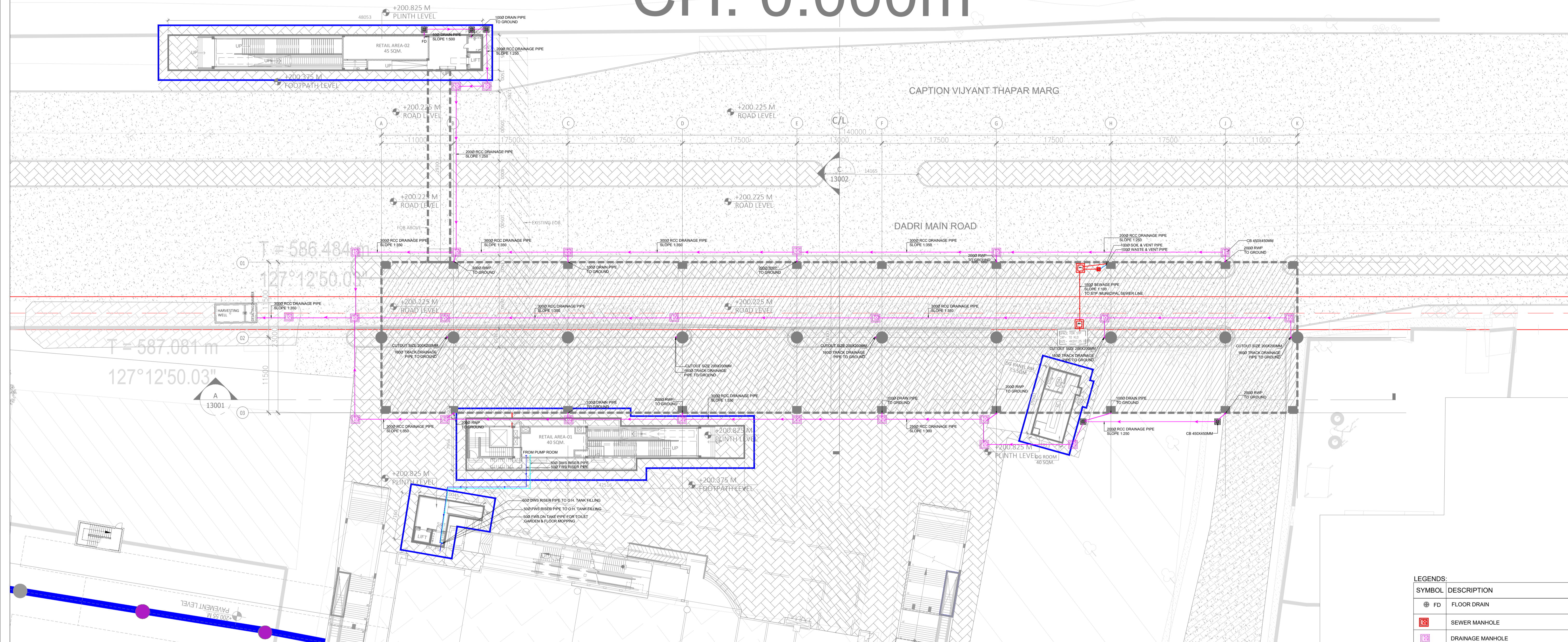
ayesa

Ayesa India Private Limited
 D 99, 3rd Floor, Sector 2, Noida -201301, Gautam Budh Nagar, Uttar Pradesh
 Tel.: +(91) 120 490 8800, Email: delhi@ayesa.com

1

BOTANICAL GARDEN

CH: 0.000m



LEGENDS:

SYMBOL	DESCRIPTION
	FLOOR DRAIN
	SEWER MANHOLE
	DRAINAGE MANHOLE
	CATCH BASIN

1 GROUND LEVEL PLAN
Scale: 1:300

GENERAL NOTES:

- ALL DIMENSIONS ARE IN MILLIMETER UNLESS MENTIONED.
- ALL DIMENSIONS ARE TO BE READ AND NOT MEASURED.
- ANY DISCREPANCY MUST BE BROUGHT TO THE NOTICE OF THE DMRC BEFORE EXECUTION OF WORK AT SITE.
- THIS DRAWING MUST BE READ IN CONJUNCTION WITH ALL RELEVANT ARCHITECTURAL, STRUCTURAL, PLUMBING & FIRE FIGHTING, ELECTRICAL AND TRAFFIC MANAGEMENT DRAWINGS.

REVISION	DESCRIPTION	DRAWING NO.

REVISIONS				
REV.	DESCRIPTION	DATE	DRAWN BY	CHECKED BY
R0	ISSUED FIRST SUBMISSION OF TENDER DRAWINGS	27-03-2026	HARI LAL	R.P.

APPROVAL OF NMRC OFFICIALS				

Certified that this document has been designed and checked in accordance with DDC Quality Assurance Plan.

Authorised Signatory for DDC:
NGNEDDC Project Manager

Architecture Design In-charge/ Coordinator	Structure Design In-charge/ Coordinator	E&M Design In-charge/ Coordinator
---	--	--------------------------------------

DETAIL DESIGN CONSULTANT :

ayesa
Ayesa India Private Limited
D 99, 3rd Floor, Sector 2, Noida -201301, Gautam
Budh Nagar, Uttar Pradesh
Tel.: +(91) 120 490 8800, Email: delhi@ayesa.com

TENDER DESIGN

NOIDA METRO RAIL CORPORATION LTD.
Block-III, 3rd Floor, Ganga Shopping Complex, Sector-29, Noida -201301, District Gautam Budh Nagar, Uttar Pradesh, India

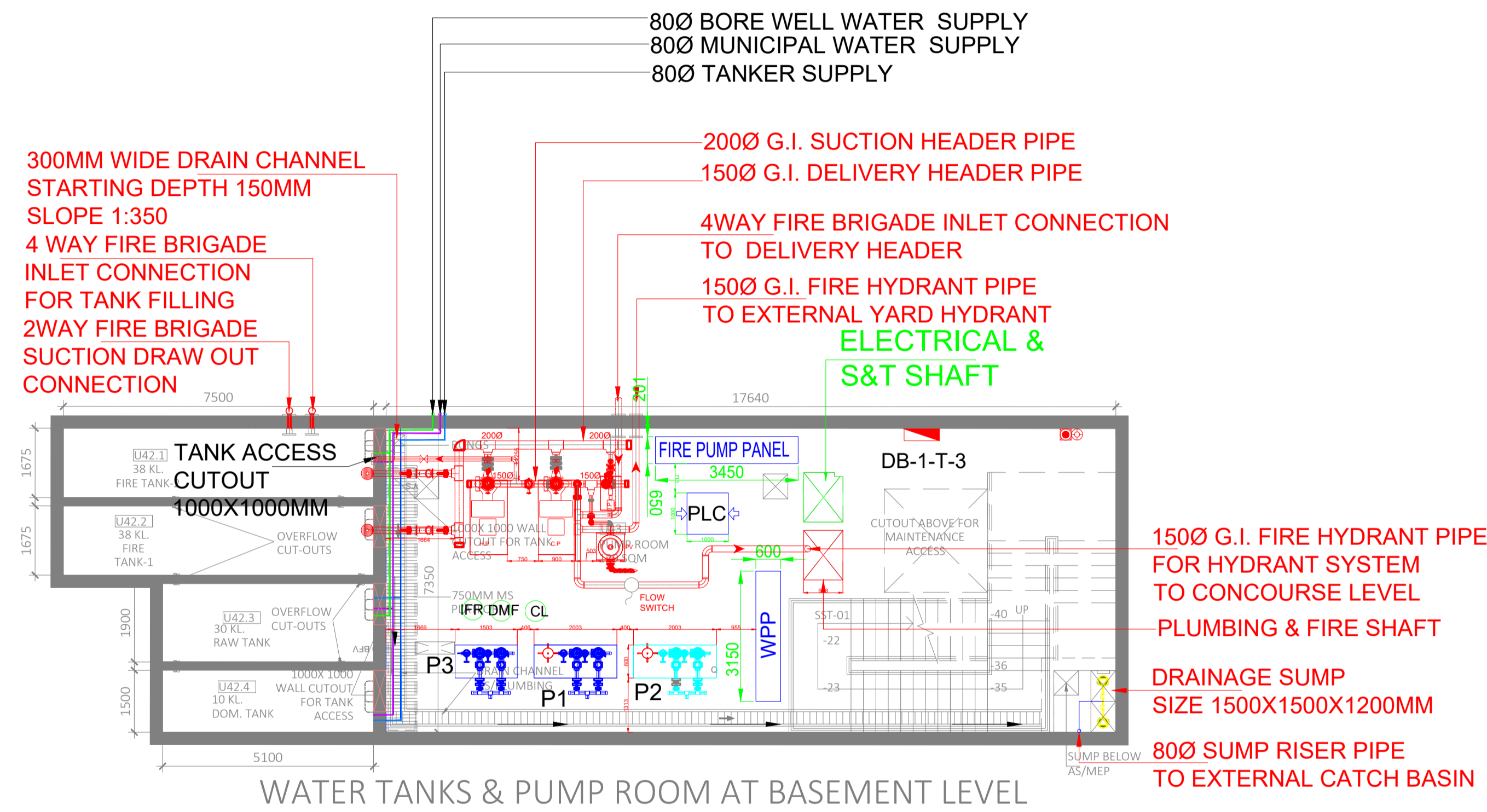
PROJECT: CONTRACT NO: NGNECC-01- Part Design & Construction of Elevated Viaduct and 10 nos. of Elevated Stations for Extension Projects of NMRC's Aqua Line from Botanical Garden to Noida Sec-142 (from Chainage (+) 383.959 to 12130.143) and from Depot Station to Boraki MMTH (Chainage 28678.253 to 31263.482)

STATION: BOTANICAL GARDEN

DRAWING TITLE: GROUND LEVEL PLAN-DRAINAGE & WATER SUPPLY LAYOUT

NORTH	DRAWN BY: HL	CHECKED BY: RK	VERIFIED BY: SJ	APPROVED BY: NG
	DATE: 27-03-2026	REV: R0	SCALE: 1:300	STATUS: TED
ORDER N°	DRAWING NUMBER: NGNE-BGN-TED-PLB-11001	SHEET NO. 01 OF 01	SHEET SIZE A-1	NGNEDDC

This drawing must not be either loaned, copied or otherwise reproduced in whole or in part or used for any purpose without the prior written permission of NMRC.



LEGEND:

S.NO.	SYMBOL	DESCRIPTION
1		G.I. FIRE HYDRANT PIPE
2		4WAY FIRE BRIGADE INLET CONNECTION
3		NON-RETURN VALVE
4		BUTTERFLY VALVE
5		GATE VALVE
6		Y-STRAINER
7		EXPANSION BELLOW
8		PRESSURE GAUGE
9		PRESSURE SWITCH
10		PRESSURE VESSEL
11		4.5 KG ABC DRY POWDER TYPE FIRE EXTINGUISHERS
12		6KG ABC DRY POWDER TYPE FIRE EXTINGUISHERS

EQUIPMENT FOR FIRE FIGHTING

SYMBOL	DESCRIPTION
C.P.	MAIN FIRE STAND BY COMMON PUMP (ELECTRIC)
H.P.	MAIN FIRE HYDRANT PUMP (ELECTRIC)
H.J.P.	HYDRANT JOCKEY PUMP (ELECTRIC)

LEGEND:

S.NO.	SYMBOL	DESCRIPTION
1		BUTTERFLY VALVE
2		NON RETURN VALVE
3		FLUSHING WATER SUPPLY LINE
4		DOMESTIC WATER SUPPLY LINE
5		DUAL MEDIA FILTER
6		IRON REMOVABLE FILTER
7		CALCULATOR

SIZE OF FOUNDATION OF PUMPS

ITEM	PUMPS	DRIVE
P1	RAW WATER TRANSFER PUMP	ELECTRIC
P2	DOMESTIC WATER TRANSFER PUMP	ELECTRIC
P3	RAW WATER FILTRATION PUMP	ELECTRIC

GENERAL NOTES:

- ALL DIMENSIONS ARE IN MILLIMETER UNLESS MENTIONED.
- ALL DIMENSIONS ARE TO BE READ AND NOT MEASURED.
- ANY DISCREPANCY MUST BE BROUGHT TO THE NOTICE OF THE DMRC BEFORE EXECUTION OF WORK AT SITE.
- THIS DRAWING MUST BE READ IN CONJUNCTION WITH ALL RELEVANT ARCHITECTURAL, STRUCTURAL, PLUMBING & FIRE FIGHTING, ELECTRICAL AND TRAFFIC MANAGEMENT DRAWINGS.

REVISION	DESCRIPTION	DRAWING NO.
R0	ISSUED FIRST SUBMISSION OF TENDER DRAWINGS	

REVISIONS

REV.	DESCRIPTION	DATE	DRAWN BY	CHECKED BY
R0	ISSUED FIRST SUBMISSION OF TENDER DRAWINGS	27-03-2026	HARI LAL	R.P.

APPROVAL OF NMRC OFFICIALS

NAME	DESIGNATION	DATE

Certified that this document has been designed and checked in accordance with DDC Quality Assurance Plan.

Authorised Signatory for DDC.
NGNEDDC Project Manager

Architecture Design In-charge/ Coordinator
Structure Design In-charge/ Coordinator
E&M Design In-charge/ Coordinator

DETAIL DESIGN CONSULTANT :

ayesa

Ayesa India Private Limited
D 99, 3rd Floor, Sector 2, Noida -201301, Gautam Budh Nagar, Uttar Pradesh
Tel.: +(91) 120 490 8800, Email: delhi@ayesa.com

TENDER DESIGN

NOIDA METRO RAIL CORPORATION LTD.
Block-III, 3rd Floor, Ganga Shopping Complex, Sector-29, Noida -201301, District Gautam Budh Nagar, Uttar Pradesh, India

PROJECT: CONTRACT NO: NGNECC-01- Part Design & Construction of Elevated Viaduct and 10 nos. of Elevated Stations for Extension Projects of NMRC's Aqua Line from Botanical Garden to Noida Sec-142 (from Chainage (-) 383.959 to 12130.143) and from Depot Station to Boraki MMTH (Chainage 28678.253 to 31263.482)

STATION: BOTANICAL GARDEN

DRAWING TITLE: PUMP ROOM - PLUMBING LAYOUT

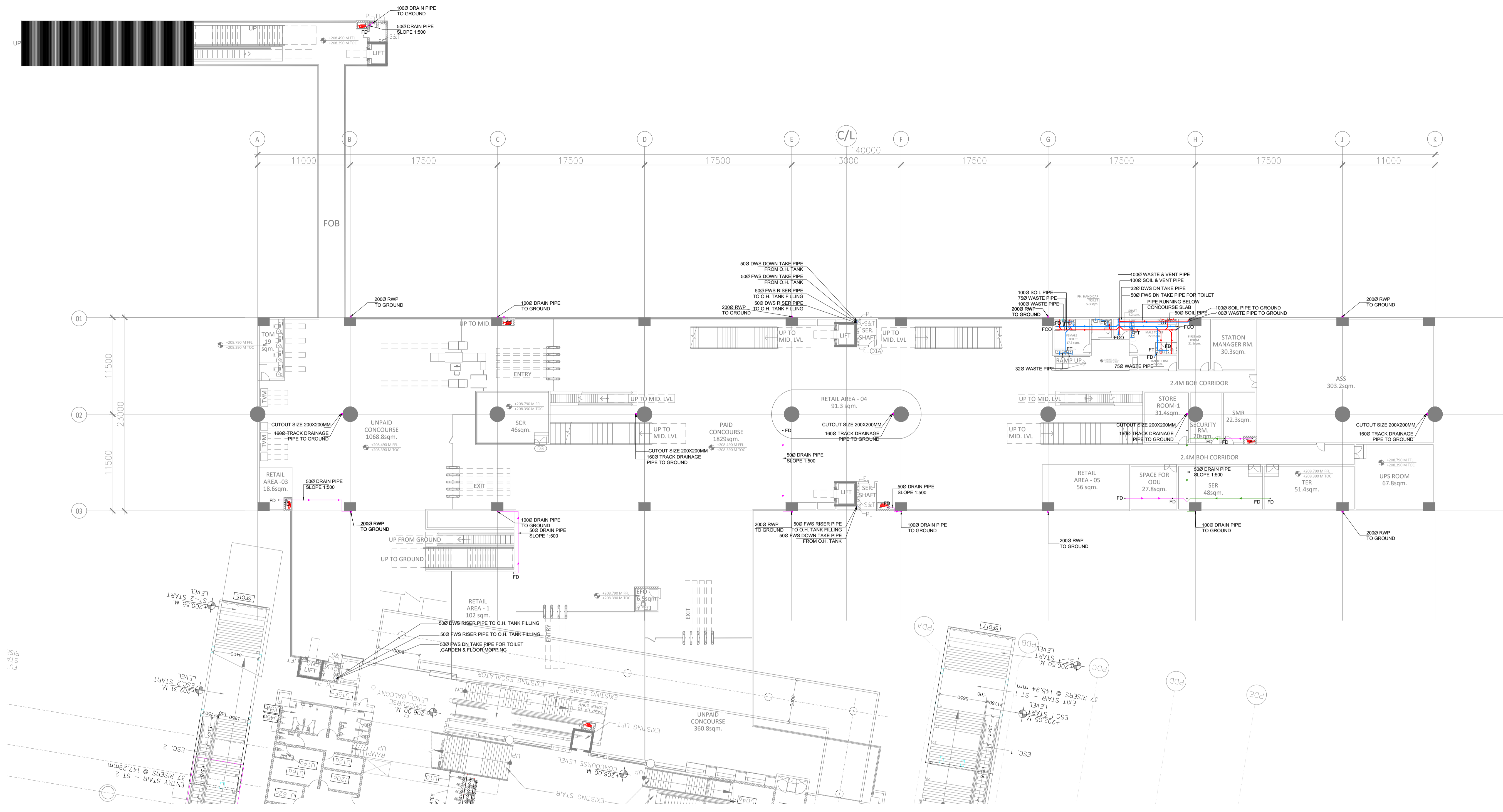
ORDER N°	DRAWING NUMBER	SHEET NO.	SHEET SIZE
	NGNE-BGN-TED-PLB-12001	01 OF 01	A-1

VERIFIED BY: SJ
APPROVED BY: NG

DATE: 27-03-2026
REV: R0
SCALE: 1:100
STATUS: TED

NGNEDDC
PLUMBING

This drawing must not be either loaned, copied or otherwise reproduced in whole or in part or used for any purpose without the prior written permission of NMRC.



GENERAL NOTES

1. ALL DIMENSIONS ARE IN MILLIMETER UNLESS MENTIONED.
2. ALL DIMENSIONS ARE TO BE READ AND NOT MEASURED.
3. ANY DISCREPANCY MUST BE BROUGHT TO THE NOTICE OF THE DMRC BEFORE EXECUTION OF WORK AT SITE.
4. THIS DRAWING MUST BE READ IN CONJUNCTION WITH ALL RELEVANT ARCHITECTURAL, STRUCTURAL, PLUMBING & FIRE FIGHTING, ELECTRICAL AND TRAFFIC MANAGEMENT DRAWINGS.

REVISION	DESCRIPTION	DRAWING NO.

REVISIONS				
REV.	DESCRIPTION	DATE	DRAWN BY	CHECKED BY
R0	ISSUED FIRST SUBMISSION OF TENDER DRAWINGS	27-03-2026	HARI LAL	R.P.

APPROVAL OF NMRC OFFICIALS				
NO.	NAME	DESIGNATION	DATE	SIGNATURE

Certified that this document has been designed and checked in accordance with DDC Quality Assurance Plan.

Authorised Signatory for DDC:
 NGNEDDC Project Manager

Architecture Design In-charge/ Coordinator	Structure Design In-charge/ Coordinator	E&M Design In-charge/ Coordinator
---	--	--------------------------------------

DETAIL DESIGN CONSULTANT :

ayesa
 Ayesa India Private Limited
 D 99, 3rd Floor, Sector 2, Noida -201301, Gautam
 Budh Nagar, Uttar Pradesh
 Tel.: +(91) 120 490 8800, Email: delhi@ayesa.com

TENDER DESIGN

NOIDA METRO RAIL CORPORATION LTD.
 Block-III, 3rd Floor, Ganga Shopping Complex, Sector-29, Noida -201301,
 District Gautam Budh Nagar, Uttar Pradesh, India

PROJECT: CONTRACT NO: NGNECC-01- Part Design & Construction of Elevated Viaduct and 10 nos. of Elevated Stations for Extension Projects of NMRC's Aqua Line from Botanical Garden to Noida Sec-142 (from Chainage (+) 383.959 to 12130.143) and from Depot Station to Boraki MMTH (Chainage 28678.253 to 31263.482)

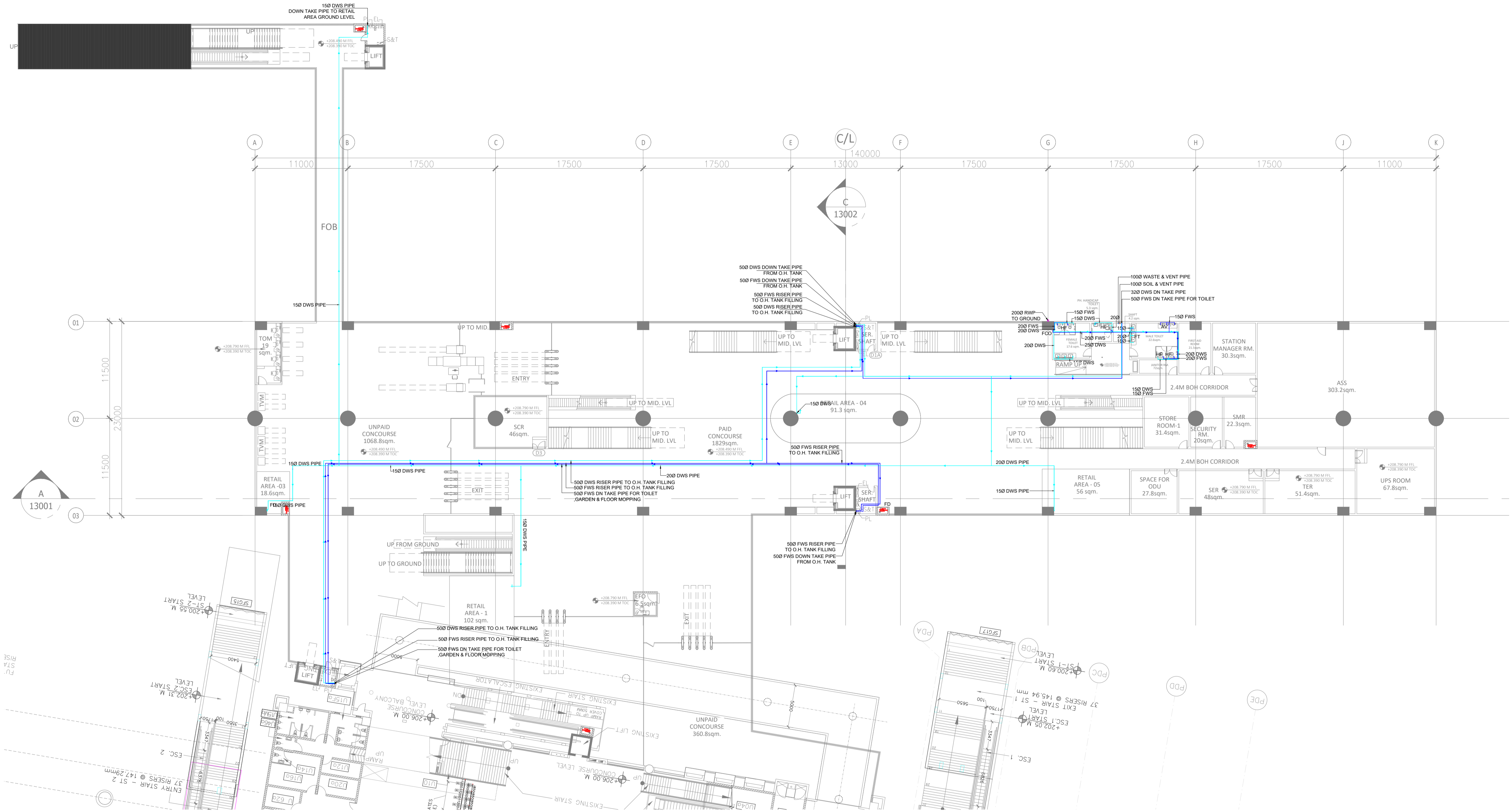
STATION: BOTANICAL GARDEN

DRAWING TITLE: CONCOURSE LEVEL PLAN -DRAINAGE LAYOUT

NORTH	DRAWN BY: HL	CHECKED BY: RK	VERIFIED BY: SJ	APPROVED BY: NG
	DATE: 27-03-2026	REV: R0	SCALE: 1:250	STATUS: TED
ORDER N°	DRAWING NUMBER: NGNE-BGN-TED-PLB-13001	SHEET NO. 01 OF 01	SHEET SIZE A-1	

This drawing must not be either loaned, copied or otherwise reproduced in whole or in part or used for any purpose without the prior written permission of NMRC.

THIS DRAWING IS THE PROPERTY OF NOIDA METRO RAIL CORPORATION LTD.



TENDER DESIGN

NOIDA METRO RAIL CORPORATION LTD.
 Block-III, 3rd Floor, Ganga Shopping Complex, Sector-29, Noida -201301,
 District Gautam Budh Nagar, Uttar Pradesh, India

PROJECT: CONTRACT NO: NGNECC-01- Part Design & Construction of Elevated Viaduct and 10 nos. of Elevated Stations for Extension Projects of NMR's Aqua Line from Botanical Garden to Noida Sec-142 (from Chainage (-) 383.959 to 12130.143) and from Depot Station to Boraki MMTH (Chainage 28678.253 to 31263.482)

STATION: BOTANICAL GARDEN
 DRAWING TITLE: CONCOURSE LEVEL PLAN -WATER SUPPLY LAYOUT

NORTH	DRAWN BY: HL	CHECKED BY: RK	VERIFIED BY: SJ	APPROVED BY: NG
	DATE: 27-03-2026	REV: R0	SCALE: 1:250	STATUS: TED
ORDER N°	DRAWING NUMBER: NGNE-BGN-TED-PLB-13002		SHEET NO. 01 OF 01	SHEET SIZE A-1

This drawing must not be either loaned, copied or otherwise reproduced in whole or in part or used for any purpose without the prior written permission of NMRCC.

Certified that this document has been designed and checked in accordance with DDC Quality Assurance Plan.

Architecture Design In-charge/ Coordinator Structure Design In-charge/ Coordinator E&M Design In-charge/ Coordinator

DETAIL DESIGN CONSULTANT :

ayesa

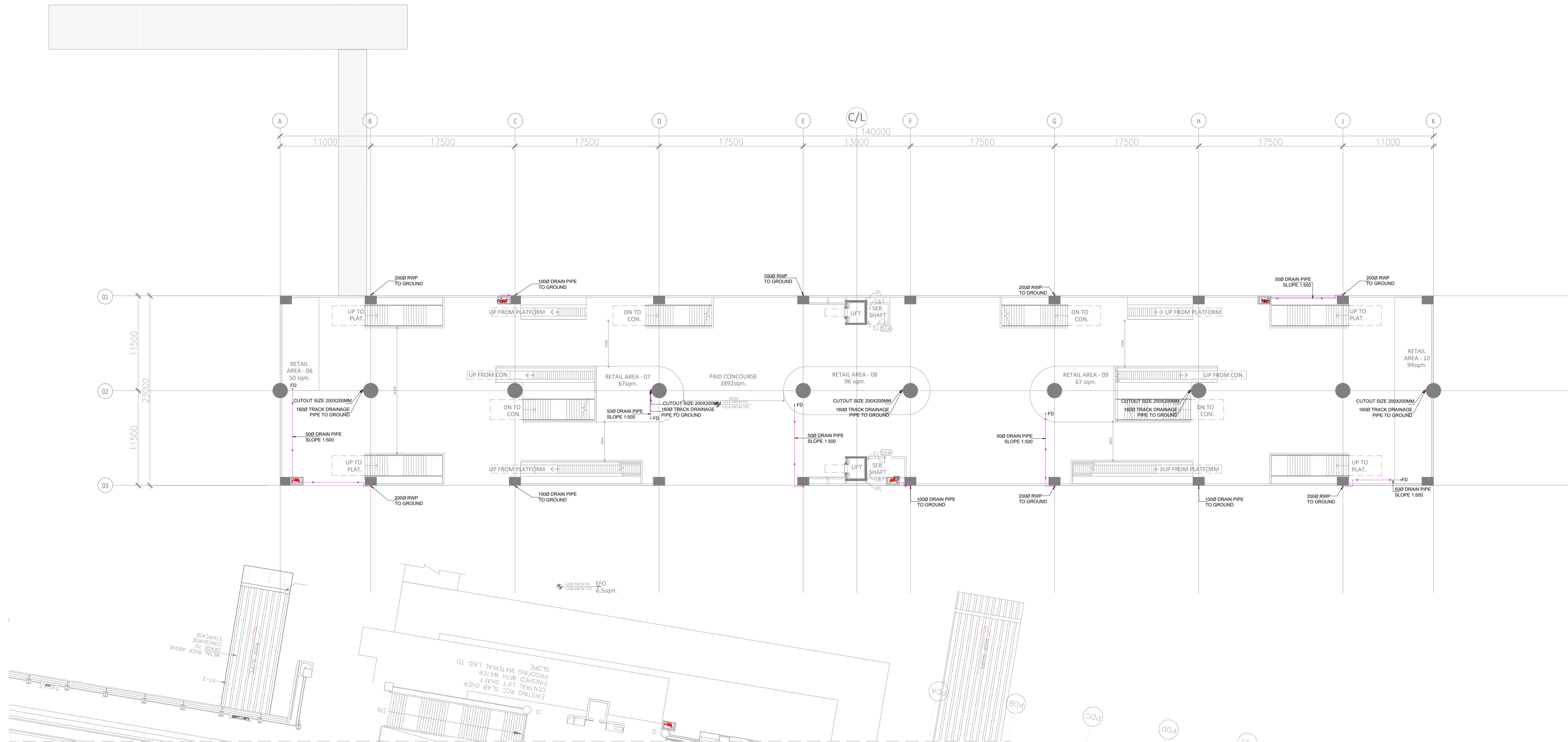
Ayesa India Private Limited
 D 99, 3rd Floor, Sector 2, Noida -201301, Gautam Budh Nagar, Uttar Pradesh
 Tel.: +(91) 120 490 8800, Email: delhi@ayesa.com

REV.	DESCRIPTION	DATE	DRAWN BY	CHECKED BY
R0	ISSUED FIRST SUBMISSION OF TENDER DRAWINGS	27-03-2026	HARI LAL	R.K.

REVISION	DESCRIPTION	DRAWING NO.

GENERAL NOTES:
 1. ALL DIMENSIONS ARE IN MILLIMETER UNLESS MENTIONED.
 2. ALL DIMENSIONS ARE TO BE READ AND NOT MEASURED.
 3. ANY DISCREPANCY MUST BE BROUGHT TO THE NOTICE OF THE DMRC BEFORE EXECUTION OF WORK AT SITE.
 4. THIS DRAWING MUST BE READ IN CONJUNCTION WITH ALL RELEVANT ARCHITECTURAL, STRUCTURAL, PLUMBING & FIRE FIGHTING, ELECTRICAL AND TRAFFIC MANAGEMENT DRAWINGS.

THIS DRAWING IS THE PROPERTY OF NMRCC AND IS NOT TO BE REPRODUCED OR COPIED IN ANY MANNER WITHOUT THE WRITTEN PERMISSION OF NMRCC.



TENDER DESIGN

NOIDA METRO RAIL CORPORATION LTD.
 Block-III, 3rd Floor, Ganga Shopping Complex, Sector-29, Noida -201301,
 District Gautam Budh Nagar, Uttar Pradesh, India

PROJECT: CONTRACT NO: NGENCC-01- Part Design & Construction of Elevated Viaduct and 10 nos. of Elevated Stations for Extension Projects of NMRC's Aqua Line from Botanical Garden to Noida Sec-142 (from Chainage (-) 383.959 to 12130.143) and from Depot Station to Boraki MMTH (Chainage 28678.253 to 31263.482)

STATION: BOTANICAL GARDEN

DRAWING TITLE: INTERMEDIATE LEVEL PLAN - DRAINAGE LAYOUT

NORTH	DRAWN BY: HL	CHECKED BY: RK	VERIFIED BY: SJ	APPROVED BY: NG
	DATE: 27-03-2026	REV: R0	SCALE: 1:250	STATUS: TED
ORDER N°	DRAWING NUMBER: NGENE-BGN-TED-PLB-14001		SHEET NO. 01 OF 01	SHEET SIZE A-1

This drawing must not be either loaned, copied or otherwise reproduced in whole or in part or used for any purpose without the prior written permission of NMRC.

GENERAL NOTES:

- ALL DIMENSIONS ARE IN MILLIMETER UNLESS MENTIONED.
- ALL DIMENSIONS ARE TO BE READ AND NOT MEASURED.
- ANY DISCREPANCY MUST BE BROUGHT TO THE NOTICE OF THE DMRC BEFORE EXECUTION OF WORK AT SITE.
- THIS DRAWING MUST BE READ IN CONJUNCTION WITH ALL RELEVANT ARCHITECTURAL, STRUCTURAL, PLUMBING & FIRE FIGHTING, ELECTRICAL AND TRAFFIC MANAGEMENT DRAWINGS.

REVISION	DESCRIPTION	DRAWING NO.

REV.	DESCRIPTION	DATE	DRAWN BY	CHECKED BY
R0	ISSUED FIRST SUBMISSION OF TENDER DRAWINGS	27-03-2026	HARI LAL	R.K.

APPROVAL OF NMRC OFFICIALS				

Certified that this document has been designed and checked in accordance with DDC Quality Assurance Plan.

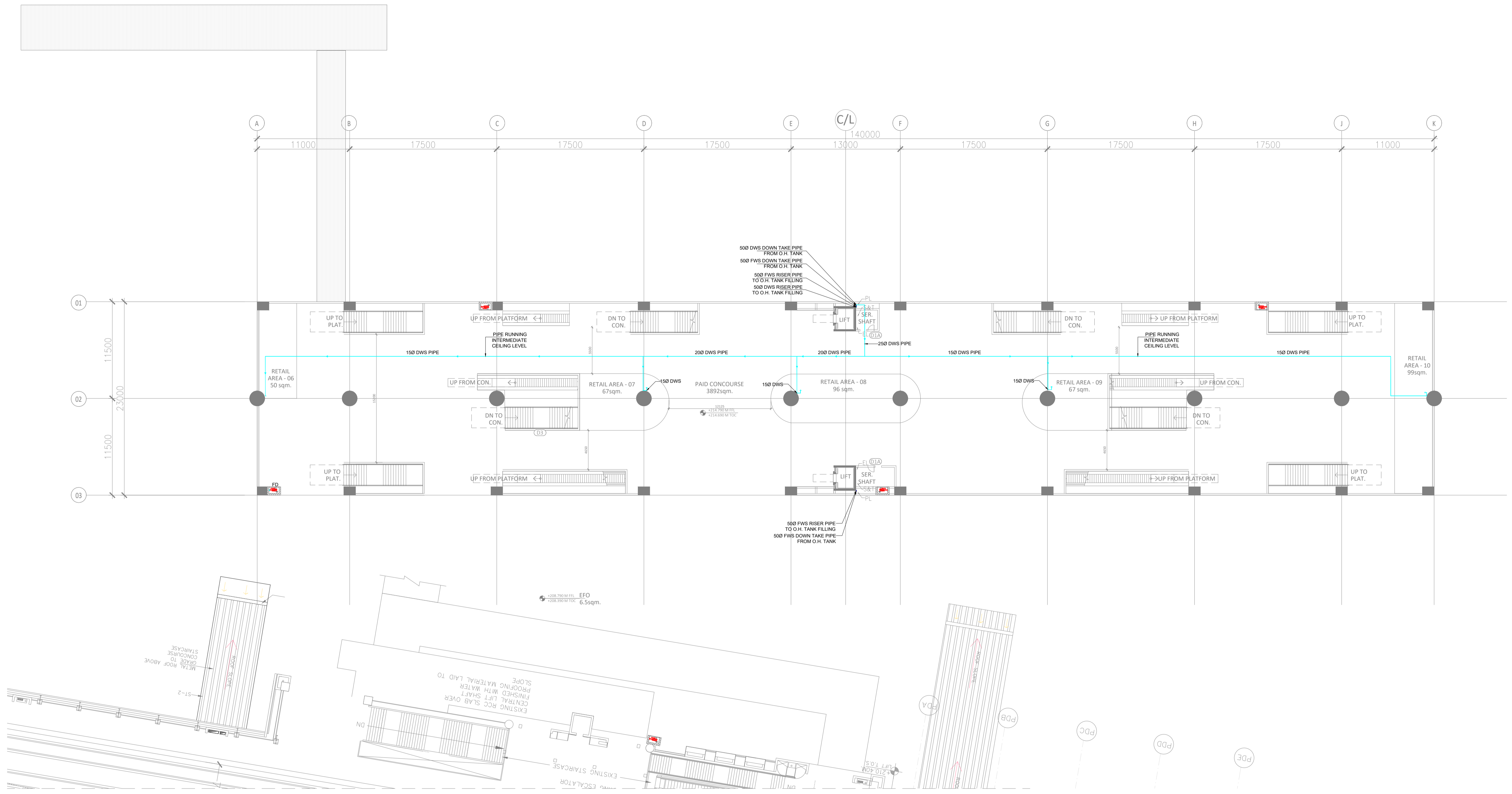
Architecture Design In-charge/ Coordinator: _____
 Structure Design In-charge/ Coordinator: _____
 E&M Design In-charge/ Coordinator: _____

Authorised Signatory for DDC: _____
 NGNEDDC Project Manager

DETAIL DESIGN CONSULTANT :

ayesa
 Ayesa India Private Limited
 D 99, 3rd Floor, Sector 2, Noida -201301, Gautam
 Budh Nagar, Uttar Pradesh
 Tel.: +(91) 120 490 8800, Email: delhi@ayesa.com

THIS DRAWING IS THE PROPERTY OF Noida Metro Rail Corporation Ltd.



GENERAL NOTES:

1. ALL DIMENSIONS ARE IN MILLIMETER UNLESS MENTIONED.
2. ALL DIMENSIONS ARE TO BE READ AND NOT MEASURED.
3. ANY DISCREPANCY MUST BE BROUGHT TO THE NOTICE OF THE DMRC BEFORE EXECUTION OF WORK AT SITE.
4. THIS DRAWING MUST BE READ IN CONJUNCTION WITH ALL RELEVANT ARCHITECTURAL, STRUCTURAL, PLUMBING & FIRE FIGHTING, ELECTRICAL AND TRAFFIC MANAGEMENT DRAWINGS.

REVISION	DESCRIPTION	DRAWING NO.

REV.	DESCRIPTION	DATE	DRAWN BY	CHECKED BY
R0	ISSUED FIRST SUBMISSION OF TENDER DRAWINGS	27-03-2026	HARI LAL	R.K.

APPROVAL OF NMRC OFFICIALS				

Certified that this document has been designed and checked in accordance with DDC Quality Assurance Plan.

Architecture Design In-charge/ Coordinator Structure Design In-charge/ Coordinator E&M Design In-charge/ Coordinator

Authorised Signatory for DDC. NGNEDDC Project Manager

DETAIL DESIGN CONSULTANT :

ayesa

Ayesa India Private Limited
 D 99, 3rd Floor, Sector 2, Noida -201301, Gautam Budh Nagar, Uttar Pradesh
 Tel.: +(91) 120 490 8800, Email: delhi@ayesa.com

TENDER DESIGN

NOIDA METRO RAIL CORPORATION LTD.
 Block-III, 3rd Floor, Ganga Shopping Complex, Sector-29, Noida -201301, District Gautam Budh Nagar, Uttar Pradesh, India

PROJECT: CONTRACT NO: NGNECC-01- Part Design & Construction of Elevated Viaduct and 10 nos. of Elevated Stations for Extension Projects of NMRC's Aqua Line from Botanical Garden to Noida Sec-142 (from Chainage (-) 383.959 to 12130.143) and from Depot Station to Boraki MMTH (Chainage 28678.253 to 31263.482)

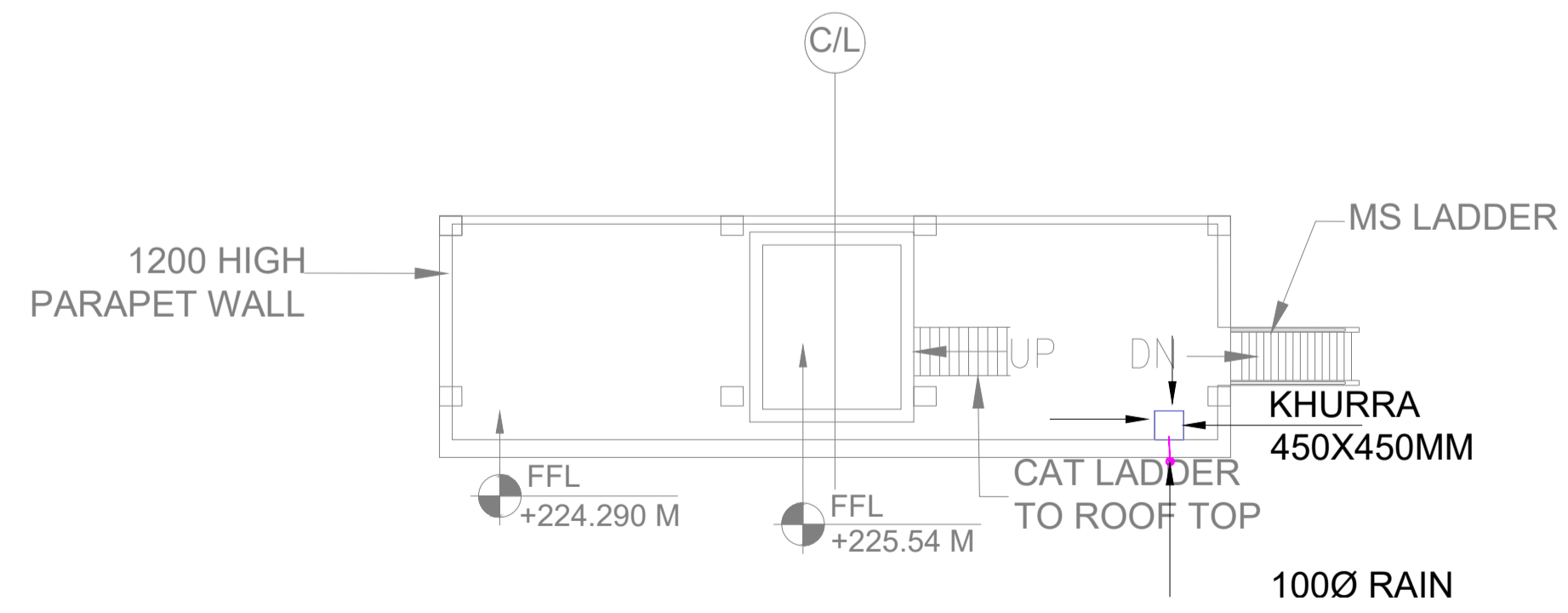
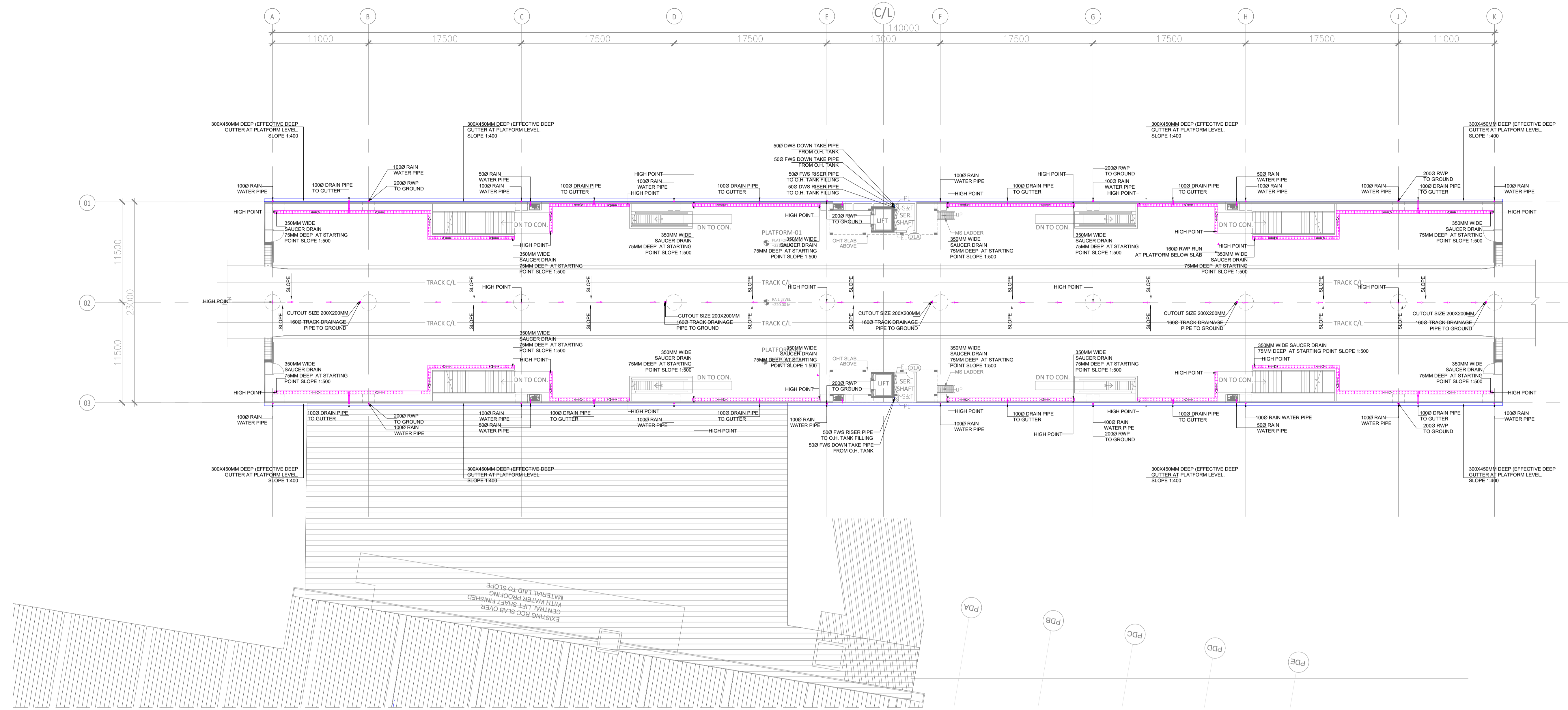
STATION: BOTANICAL GARDEN

DRAWING TITLE: INTERMEDIATE LEVEL PLAN - WATER SUPPLY LAYOUT

NORTH	DRAWN BY: HL	CHECKED BY: RK	VERIFIED BY: SJ	APPROVED BY: NG
	DATE: 27-03-2026	REV: R0	SCALE: 1:250	STATUS: TED
ORDER N°	DRAWING NUMBER: NGNE-BGN-TED-PLB-14002		SHEET NO. 01 OF 01	SHEET SIZE A-1

This drawing must not be either loaned, copied or otherwise reproduced in whole or in part or used for any purpose without the prior written permission of NMRC.

THIS DRAWING IS THE PROPERTY OF NOIDA METRO RAIL CORPORATION LTD.



2 OVERHEAD TANK (OHT) LEVEL PLAN

Scale: 1:100

GENERAL NOTES:

1. ALL DIMENSIONS ARE IN MILLIMETER UNLESS MENTIONED.
2. ALL DIMENSIONS ARE TO BE READ AND NOT MEASURED.
3. ANY DISCREPANCY MUST BE BROUGHT TO THE NOTICE OF THE DMRC BEFORE EXECUTION OF WORK AT SITE.
4. THIS DRAWING MUST BE READ IN CONJUNCTION WITH ALL RELEVANT ARCHITECTURAL, STRUCTURAL, PLUMBING & FIRE FIGHTING, ELECTRICAL AND TRAFFIC MANAGEMENT DRAWINGS.

REVISION	DESCRIPTION	DRAWING NO.

REV.	DESCRIPTION	DATE	DRAWN BY	CHECKED BY
R0	ISSUED FIRST SUBMISSION OF TENDER DRAWINGS	27-03-2026	HARI LAL	R.K.

APPROVAL OF NMRC OFFICIALS	

Certified that this document has been designed and checked in accordance with DDC Quality Assurance Plan.

Architecture Design In-charge/ Coordinator Structure Design In-charge/ Coordinator E&M Design In-charge/ Coordinator

DETAIL DESIGN CONSULTANT :

ayesa

Ayesa India Private Limited
D 99, 3rd Floor, Sector 2, Noida -201301, Gautam Budh Nagar, Uttar Pradesh
Tel.: +(91) 120 490 8800, Email: delhi@ayesa.com

TENDER DESIGN

NOIDA METRO RAIL CORPORATION LTD.
Block-III, 3rd Floor, Ganga Shopping Complex, Sector-29, Noida -201301, District Gautam Budh Nagar, Uttar Pradesh, India

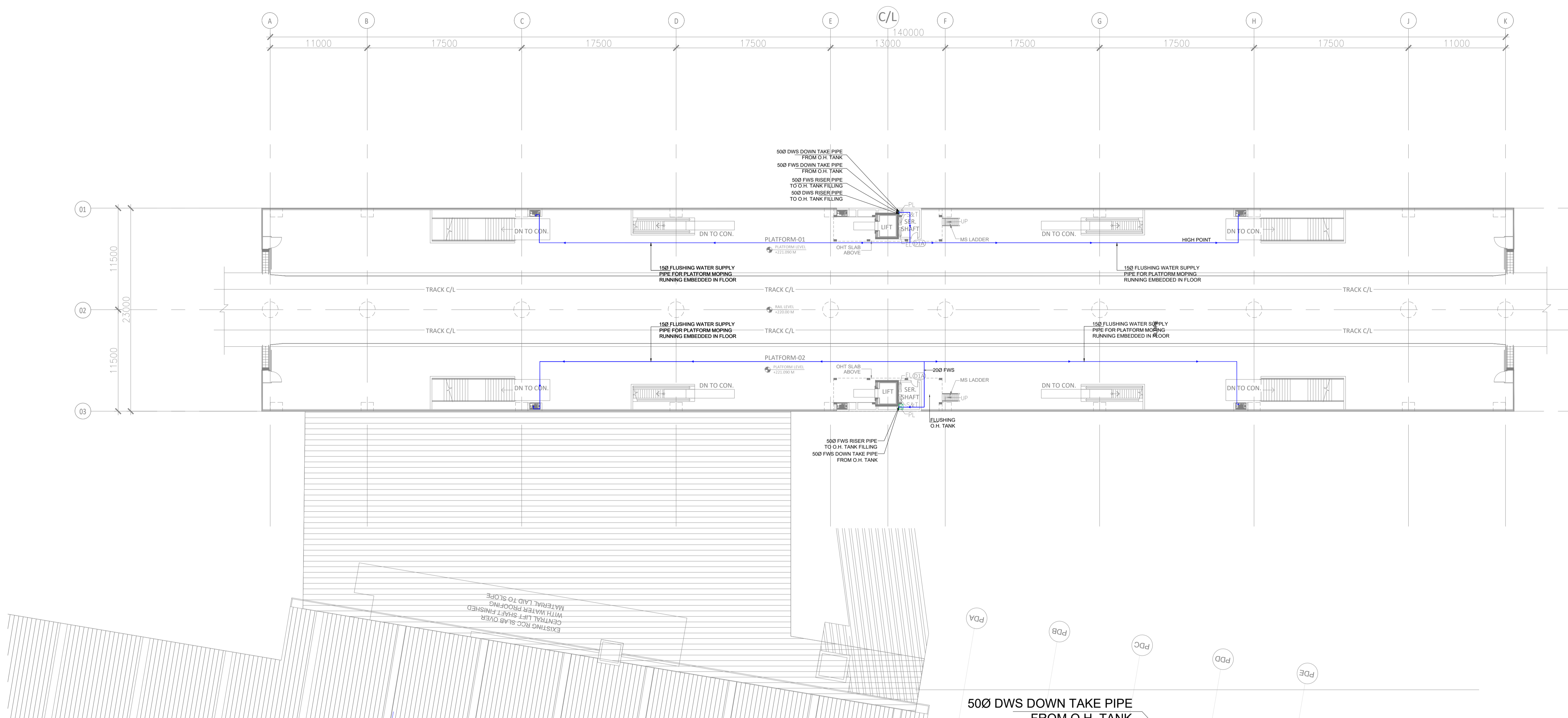
PROJECT: CONTRACT NO: NGNECC-01- Part Design & Construction of Elevated Viaduct and 10 nos. of Elevated Stations for Extension Projects of NMRC's Aqua Line from Botanical Garden to Noida Sec-142 (from Chainage (-) 383.959 to 12130.143) and from Depot Station to Boraki MMTH (Chainage 28678.253 to 31263.482)

STATION: BOTANICAL GARDEN

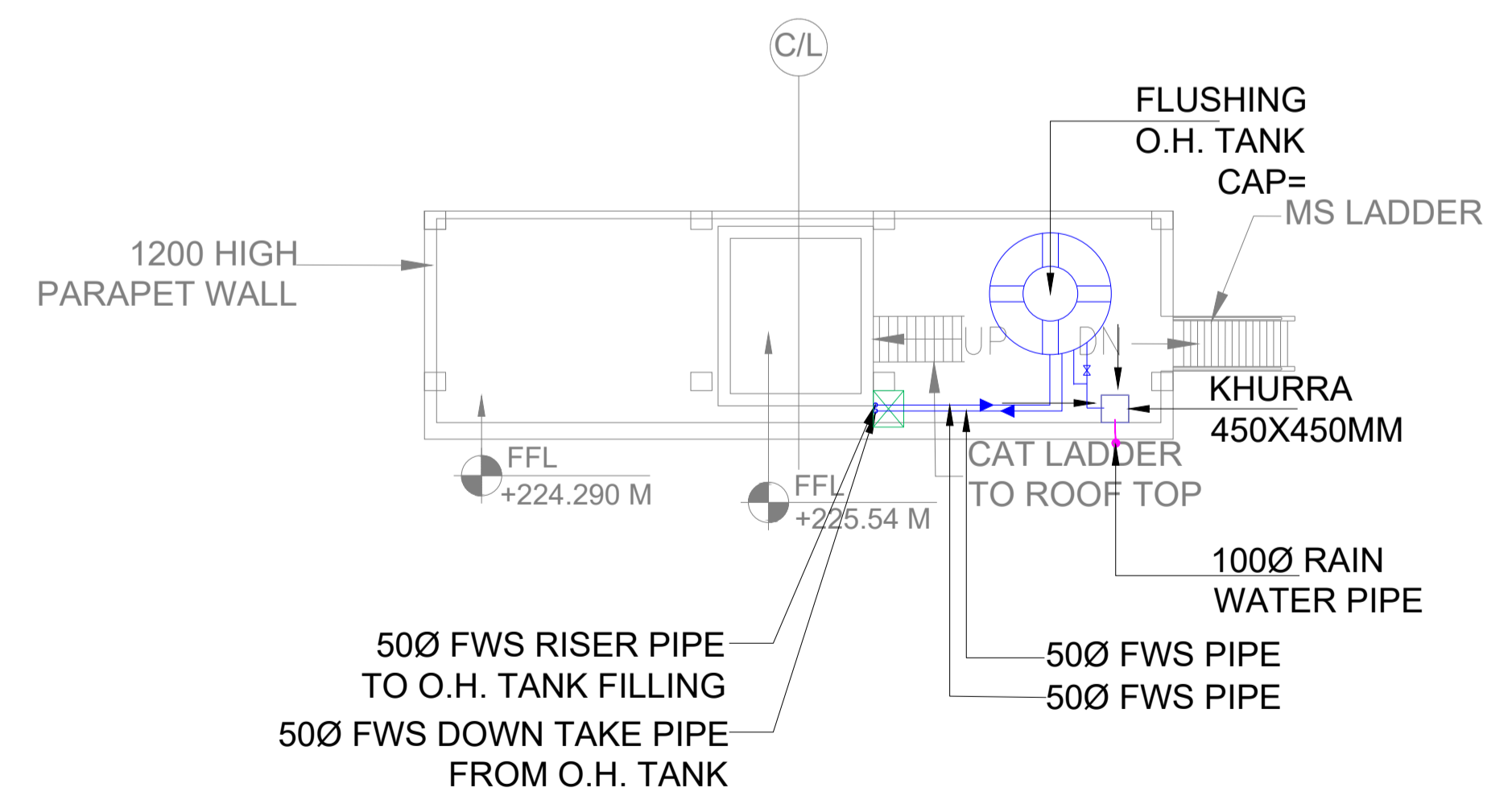
DRAWING TITLE: PLATFORM LEVEL PLAN-DRAINAGE LAYOUT

NORTH	DRAWN BY: HL	CHECKED BY: RK	VERIFIED BY: SJ	APPROVED BY: NG
	DATE: 27-03-2026	REV: R0	SCALE: 1:250	STATUS: TED
ORDER N°	DRAWING NUMBER: NGNE-BGN-TED-PLB-15001	SHEET NO. 01 OF 01	SHEET SIZE A-1	NGNEDDC PLUMBING

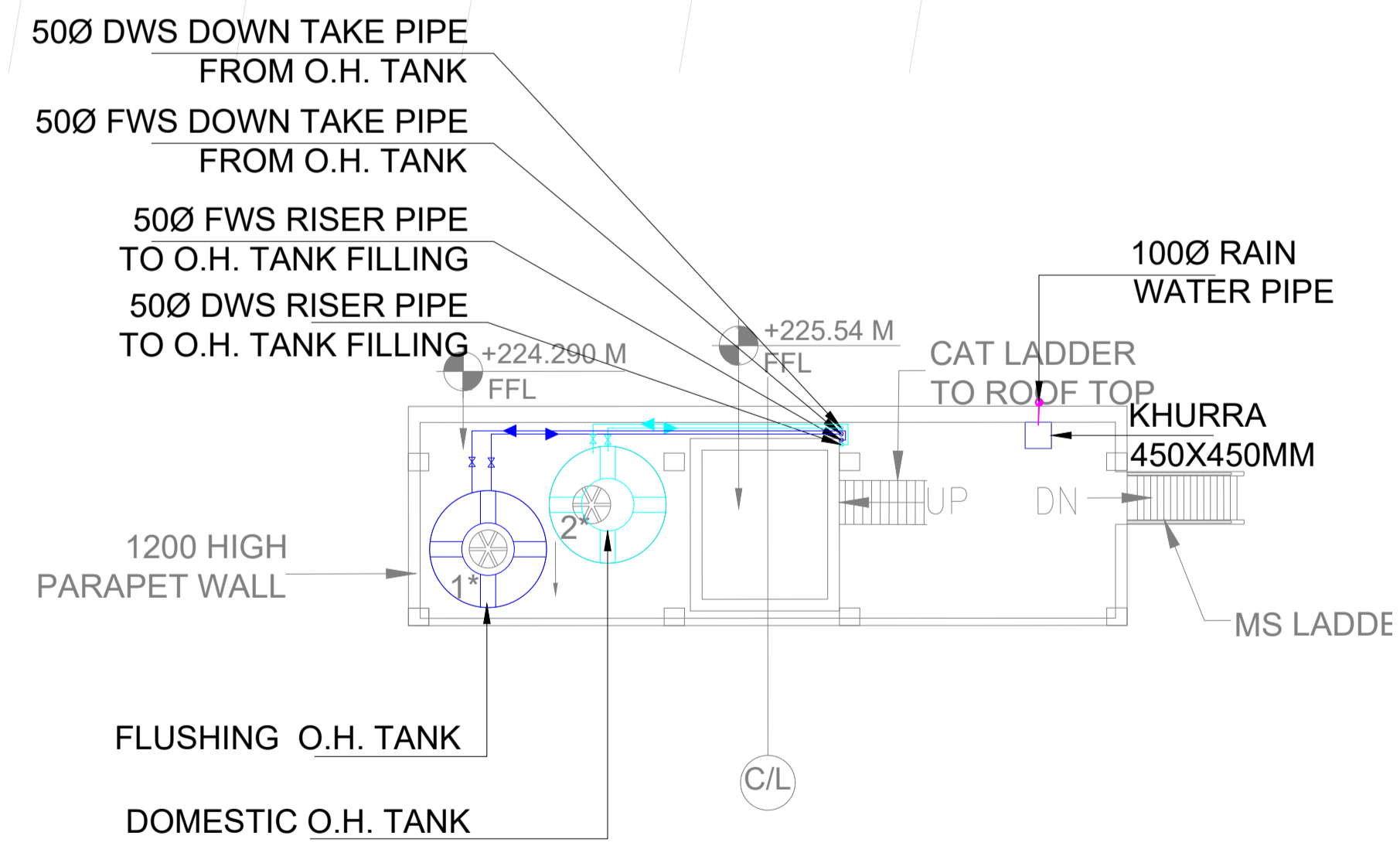
This drawing must not be either loaned, copied or otherwise reproduced in whole or in part or used for any purpose without the prior written permission of NMRC.



1 PLATFORM LEVEL PLAN
Scale: 1:250



2 OVERHEAD TANK (OHT) LEVEL PLAN
Scale: 1:100



GENERAL NOTES

1. ALL DIMENSIONS ARE IN MILLIMETER UNLESS MENTIONED.
2. ALL DIMENSIONS ARE TO BE READ AND NOT MEASURED.
3. ANY DISCREPANCY MUST BE BROUGHT TO THE NOTICE OF THE DMRC BEFORE EXECUTION OF WORK AT SITE.
4. THIS DRAWING MUST BE READ IN CONJUNCTION WITH ALL RELEVANT ARCHITECTURAL, STRUCTURAL, PLUMBING & FIRE FIGHTING, ELECTRICAL AND TRAFFIC MANAGEMENT DRAWINGS.

REVISION	DESCRIPTION	DRAWING NO.

REV.	DESCRIPTION	DATE	DRAWN BY	CHECKED BY
R0	ISSUED FIRST SUBMISSION OF TENDER DRAWINGS	27-03-2026	HARI LAL	R.K.

APPROVAL OF NMRC OFFICIALS

Certified that this document has been designed and checked in accordance with DDC Quality Assurance Plan.

Authorised Signatory for DDC:
NGNEDDC Project Manager

Architecture Design In-charge/ Coordinator	Structure Design In-charge/ Coordinator	E&M Design In-charge/ Coordinator
---	--	--------------------------------------

DETAIL DESIGN CONSULTANT :

ayesa
Ayesa India Private Limited
D 99, 3rd Floor, Sector 2, Noida -201301, Gautam
Budh Nagar, Uttar Pradesh
Tel.: +(91) 120 490 8800, Email: delhi@ayesa.com

TENDER DESIGN

NOIDA METRO RAIL CORPORATION LTD.
Block-III, 3rd Floor, Ganga Shopping Complex, Sector-29, Noida -201301,
District Gautam Budh Nagar, Uttar Pradesh, India

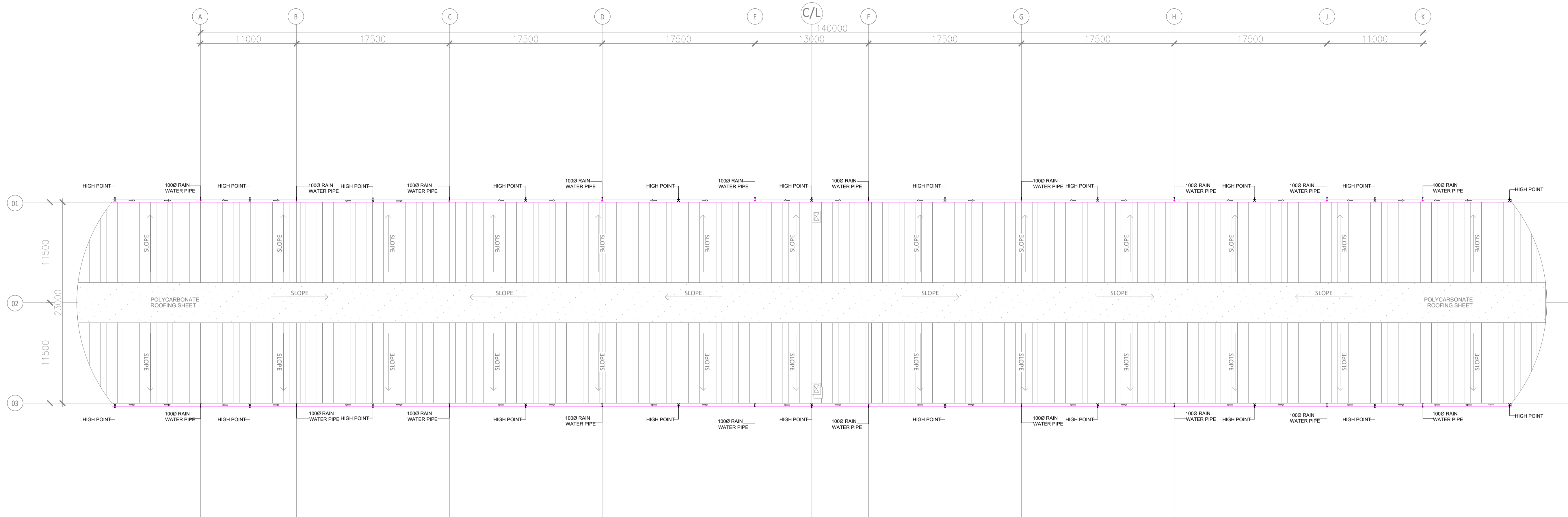
PROJECT: CONTRACT NO: NGNECC-01- Part Design & Construction of Elevated Viaduct and 10 nos. of Elevated Stations for Extension Projects of NMRC's Aqua Line from Botanical Garden to Noida Sec-142 (from Chainage (-) 383.959 to 12130.143) and from Depot Station to Boraki MMTH (Chainage 28678.253 to 31263.482)

STATION: BOTANICAL GARDEN

DRAWING TITLE: PLATFORM LEVEL PLAN-WATER SUPPLY LAYOUT

NORTH	DRAWN BY: HL	CHECKED BY: RK	VERIFIED BY: SJ	APPROVED BY: NG
	DATE: 27-03-2026	REV: R0	SCALE: 1:250	STATUS: TED
ORDER N°	DRAWING NUMBER: NGNE-BGN-TED-PLB-15002	SHEET NO. 01 OF 01	SHEET SIZE A-1	

This drawing must not be either loaned, copied or otherwise reproduced in whole or in part or used for any purpose without the prior written permission of NMRC.



GENERAL NOTES:
 1. ALL DIMENSIONS ARE IN MILLIMETER UNLESS MENTIONED.
 2. ALL DIMENSIONS ARE TO BE READ AND NOT MEASURED.
 3. ANY DISCREPANCY MUST BE BROUGHT TO THE NOTICE OF THE DMRC BEFORE EXECUTION OF WORK AT SITE.
 4. THIS DRAWING MUST BE READ IN CONJUNCTION WITH ALL RELEVANT ARCHITECTURAL, STRUCTURAL, PLUMBING & FIRE FIGHTING, ELECTRICAL AND TRAFFIC MANAGEMENT DRAWINGS.

REVISIONS				
REV.	DESCRIPTION	DATE	DRAWN BY	CHECKED BY
R0	ISSUED FIRST SUBMISSION OF TENDER DRAWINGS	27-03-2026	HARI LAL	R.K.

APPROVAL OF NMRC OFFICIALS				
NO.	NAME	DESIGNATION	DATE	REMARKS

Certified that this document has been designed and checked in accordance with DDC Quality Assurance Plan.

Authorised Signatory for DDC.
 NGNEDDC Project Manager

Architecture Design In-charge/ Coordinator Structure Design In-charge/ Coordinator E&M Design In-charge/ Coordinator

DETAIL DESIGN CONSULTANT :

ayesa
 Ayesa India Private Limited
 D 99, 3rd Floor, Sector 2, Noida -201301, Gautam Budh Nagar, Uttar Pradesh
 Tel.: +(91) 120 490 8800, Email: delhi@ayesa.com

TENDER DESIGN

NOIDA METRO RAIL CORPORATION LTD.
 Block-III, 3rd Floor, Ganga Shopping Complex, Sector-29, Noida -201301, District Gautam Budh Nagar, Uttar Pradesh, India

PROJECT: CONTRACT NO: NGNECC-01- Part Design & Construction of Elevated Viaduct and 10 nos. of Elevated Stations for Extension Projects of NMR's Aqua Line from Botanical Garden to Noida Sec-142 (from Chainage (-) 383.959 to 12130.143) and from Depot Station to Boraki MMTH (Chainage 28678.253 to 31263.482)

STATION: BOTANICAL GARDEN
 DRAWING TITLE: ROOF LEVEL PLAN - DRAINAGE LAYOUT

NORTH 	DRAWN BY: HL	CHECKED BY: RK	VERIFIED BY: SJ	APPROVED BY: NG
	DATE: 27-03-2026	REV: R0	SCALE: 1:250	STATUS: TED
ORDER N°	DRAWING NUMBER: NGNE-BGN-TED-PLB-16001	SHEET NO. 01 OF 01	SHEET SIZE A-1	NGNEDDC PLUMBING

This drawing must not be either loaned, copied or otherwise reproduced in whole or in part or used for any purpose without the prior written permission of NMRC.